

isc Silicon NPN Power Transistor
2SC4692
DESCRIPTION

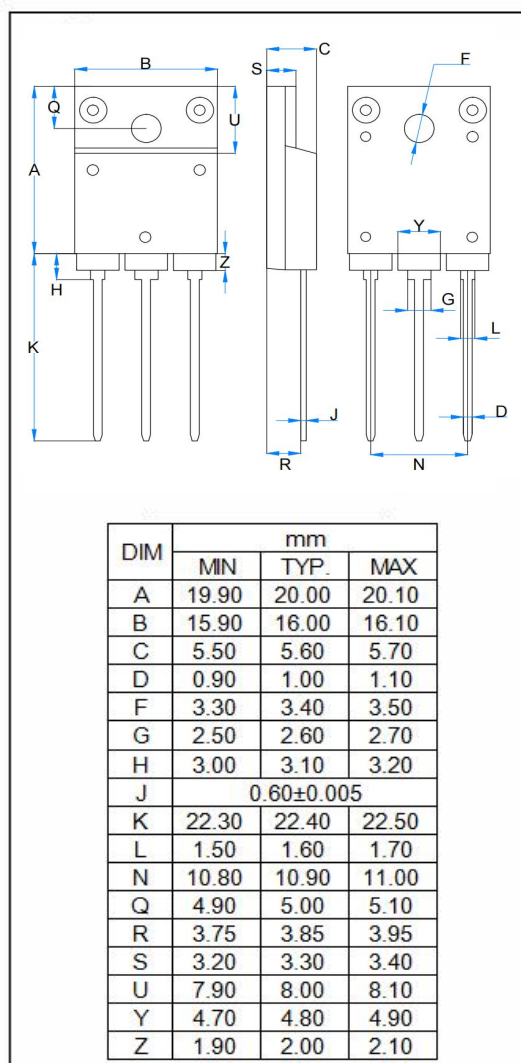
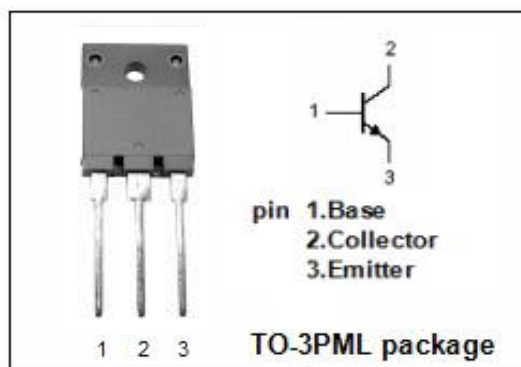
- Collector-Emitter Breakdown Voltage
 $-V_{(BR)CEO} = 800V(\text{Min})$
- Collector-Emitter Saturation Voltage
 $-V_{CE(sat)} = 5.0V(\text{Max}) @ I_C = 10A$

APPLICATIONS

- EDTV/HDTV Horizontal Ddflection output

ABSOLUTE MAXIMUM RATINGS(Ta=25°C)

SYMBOL	PARAMETER	VALUE	UNIT
V_{CBO}	Collector-Base Voltage	1500	V
V_{CEO}	Collector-Emitter Voltage	800	V
V_{EBO}	Emitter-Base Voltage	5	V
I_C	Collector Current-Continuous	12	A
P_C	Collector Power Dissipation	50	W
T_J	Junction Temperature	150	°C
T_{stg}	Storage Temperature Range	-55~150	°C



isc Silicon NPN Power Transistor

2SC4692

ELECTRICAL CHARACTERISTICS (T_C=25°C unless otherwise specified)

SYMBOL	PARAMETER	CONDITIONS	MIN	TYP.	MAX	UNIT
V _{(BR)EBO}	Emitter-Base Breakdown Voltage	I _E = 10mA; I _C = 0	5	--	--	V
V _{(BR)CEO}	Collector-Emitter Breakdown Voltage	I _C =10mA; I _B = 0	800	--	--	V
V _{(BR)CBO}	Collector-Base Breakdown Voltage	I _C = 1mA; I _E = 0	1500	--	--	V
I _{CES}	Collector Cutoff Current	V _{CE} = 1500V; I _B =0	--	--	0.5	mA
V _{CE(sat)}	Collector-Emitter Saturation Voltage	I _C = 10A; I _B = 2A	--	--	5.0	V
V _{BE(sat)}	Base -Emitter Saturation Voltage	I _C = 10A; I _B = 2A	--	--	1.5	V
h _{FE}	DC Current Gain	I _C = 1A; V _{CE} = 5V	15	--	35	

Product Disclaimer

ISC reserves the rights to make changes of the content herein the datasheet at any time without notification. The information contained herein is presented only as a guide for the applications of our products.

ISC products are intended for usage in general electronic equipment. The products are not designed for use in equipment which require specialized quality and/or reliability, or in equipment which could have applications in hazardous environments, aerospace industry, or medical field. Please contact us if you intend our products to be used in these special applications.

ISC makes no warranty or guarantee regarding the suitability of its products for any particular purpose, nor does ISC assume any liability arising from the application or use of any products, and specifically disclaims any and all liability, including without limitation special, consequential or incidental damages.