

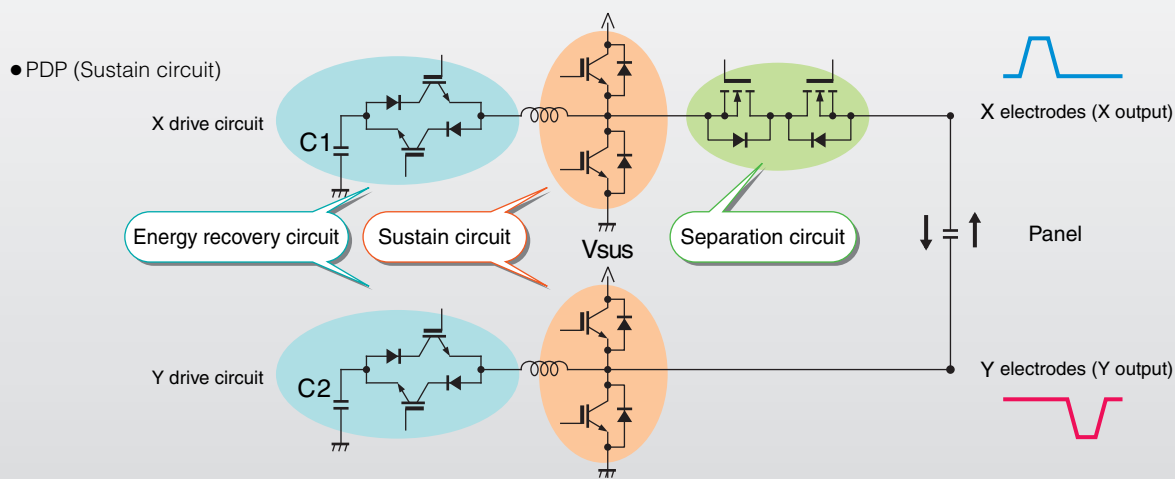
# 5-4 Plasma Display Panel Applications

## Plasma Displays

Parallel MOSFETs have been used for the drive circuitry of plasma display panels (PDPs). Recently, however, IGBTs are commonly used in large current applications due to their superior current conduction capability.



### ▶ Example of a Plasma Display Panel Drive Circuit



## Product Lineup

▶ For plasma display panels

### 300-V IGBTs

Part Number	$V_{CES} / I_{cp} @ 3 \mu s$	$V_{CE(sat)} (V) \text{ Typ. } @ 120 A$	$P_c (W) @ T_c = 25^\circ C$	Package	Remarks
GT30F124	300 V / 200 A	2.3	25	TO-220SIS	6th generation
GT30F125	330 V / 200 A	1.9	25	TO-220SIS	6th generation
GT45F127	300 V / 200 A	1.6	26	TO-220SIS	6th generation
GT45F128	330 V / 200 A	1.45	26	TO-220SIS	6th generation
GT30F131	360 V / 200 A	1.9	140	TO-220SM(MXN)	6th generation

  : New product

### 400-V IGBTs

Part Number	$V_{CES} / I_{cp} @ 3 \mu s$	$V_{CE(sat)} (V) \text{ Typ. } @ 120 A$	$P_c (W) @ T_c = 25^\circ C$	Package	Remarks
GT30G124	430 V / 200 A	2.5	25	TO-220SIS	6th generation
GT30G125	430 V / 200 A	2.1	25	TO-220SIS	6th generation
GT45G127	430 V / 200 A	1.7	26	TO-220SIS	6th generation
GT45G128	430 V / 200 A	1.55	26	TO-220SIS	6th generation

  : New product

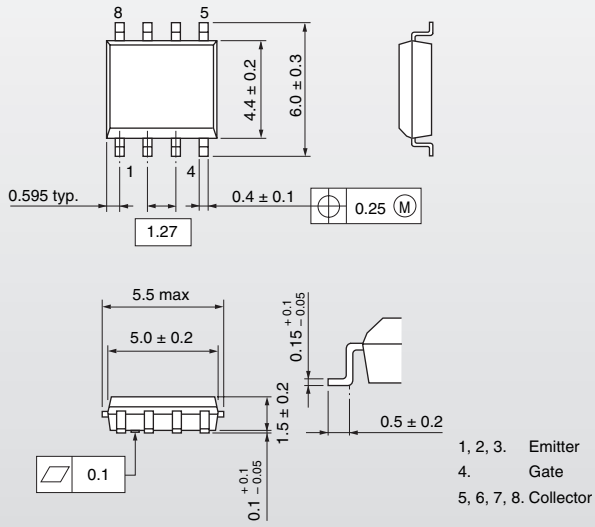
### 600-V IGBTs

Part Number	$V_{CES} / I_{cp} @ 3 \mu s$	$V_{CE(sat)} (V) \text{ Typ. } @ 120 A$	$P_c (W) @ T_c = 25^\circ C$	Package	Remarks
GT30J124	600 V / 200 A	2.4	26	TO-220SIS	5th generation

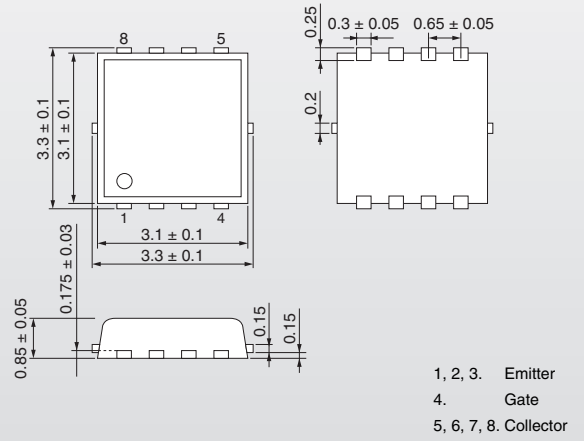
# 6 Package Dimensions

Unit: mm

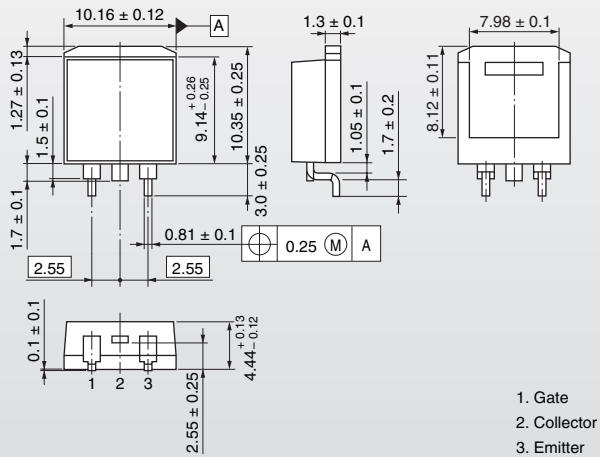
## ▶ SOP-8



## ▶ TSON-8



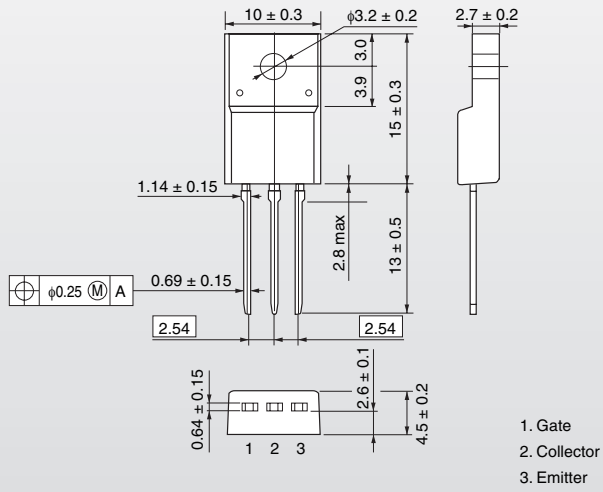
## ▶ TO-220SM(MXN)



# 6 Package Dimensions

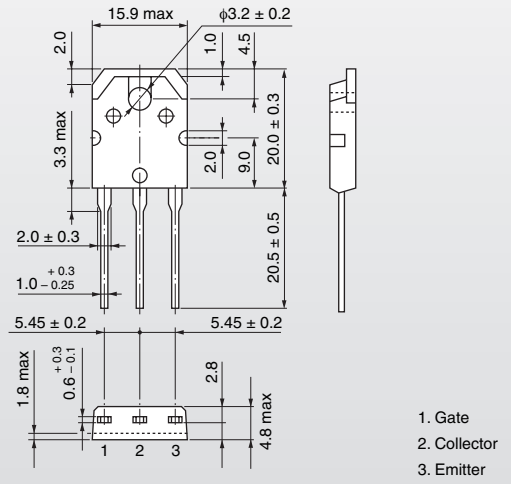
Unit: mm

## ▶ TO-220SIS



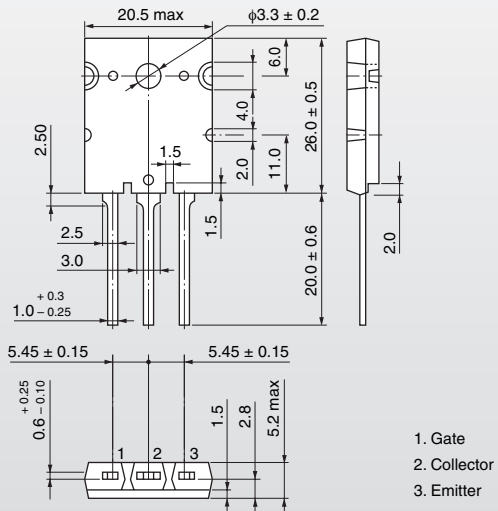
1. Gate
2. Collector
3. Emitter

## ▶ TO-3P(N)



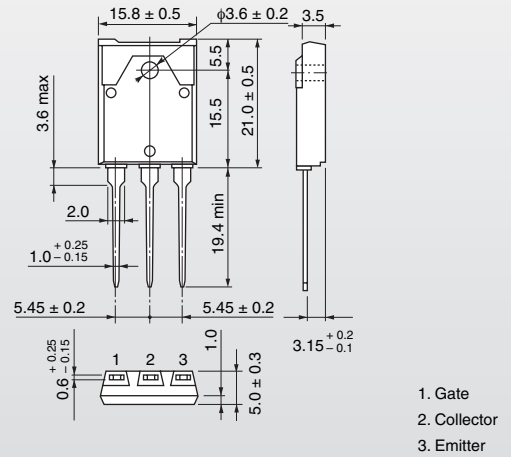
1. Gate
2. Collector
3. Emitter

## ▶ TO-3P(LH)



1. Gate
2. Collector
3. Emitter

## ▶ TO-3P(N)IS



1. Gate
2. Collector
3. Emitter