

TSR-3590

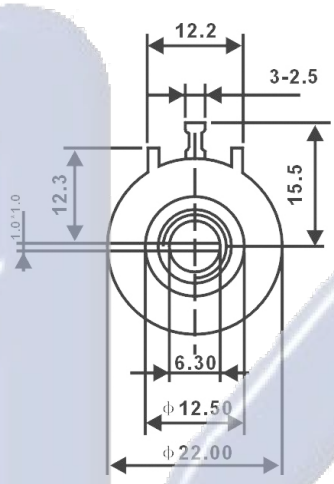


■ (Multiturn/ Round/ Wirewound)

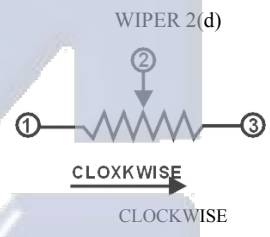
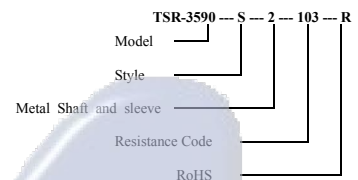
■ (2 Shaft Styles)

Electrical Characteristics	
Standard Resistance Range	1KΩ - 100KΩ
Resistance Tolerance	±5%
Independent Linearity	±0.5%
Effective Electrical Travel	≥3600° ± 10°
Treninal Resistance	≤0.2% 5Ω
Noise	≤3% R 5Ω
Insulation Resistance	R≥1GΩ
Withstand Voltage	101.3kPa710V, 8.5kPa470V

Common Dimensions



How to Order



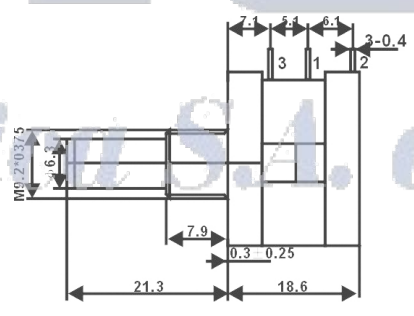
Tolerance is ±0.25 if no identification

Environmental Characteristics	
Power Rating (500volts max)	0.5W@+70°C, 0W@+125°C
Temperature Range	-55°C ~ +125°C
Temperature Coefficient	±100ppm/°C
Temperature Variation	ΔR≤±2%R, Δ(Uab/Uac)≤±1%
Collision	390m/s ² , 4000cycles, R≤1%R
Vibration	10-500Hz, 0.75mm, 98m/s ² , 6h ΔR≤±1%R, Δ(Uab/Uac)≤±2%
Climate Category	ΔR≤±3%R, R _i ≥100MΩ
Electrical Endurance at 70°C	2W, 1000h, ΔR≤±3%R
Mechanical Endurance	10000 (cycles), ΔR≤±3%R
Steady damp-heat	ΔR≤±3%R, R _i ≥100MΩ

Standard Resistance table

Resistance(Ohms)	Resistance Code
1,000	102
2,000	202
5,000	502
10,000	103
20,000	203
50,000	503
100,000	104

Special resistances available.



Physical Characteristics	
Total Mechanical Travel	≥3600° ± 10°
Staring Torque	≤36mN·m
Clutch Torque	≥300mN·m
Standard Packaging	(pcs/box)

Note: Specification are subject to change without notice. For more detail and update, please visit our website.