



A-75FAM Switching Power Supply



◆ Feature

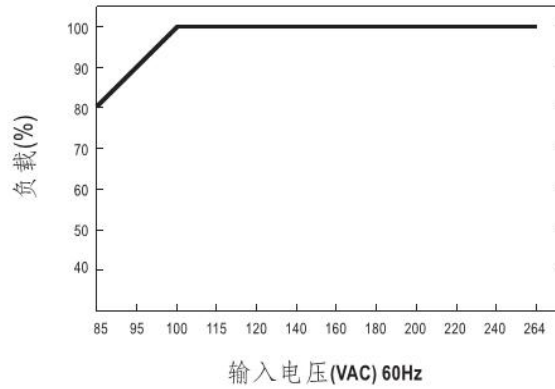
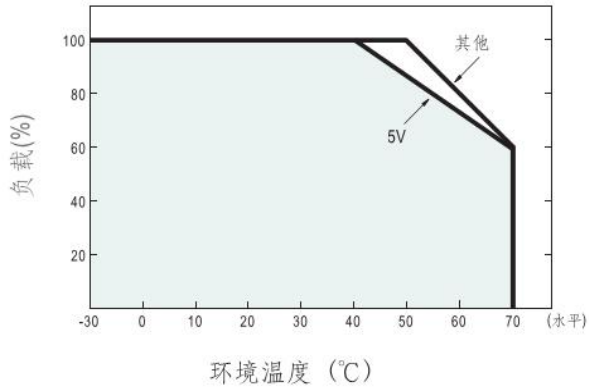
- Universal AC input
- No load power consumption $< 0.3W$
- Protections: short circuit/overload
- Cooling by free air convection
- 100% pass aging test
- 3 years warranty

General Specification

ModelNo.	A-75FAM-5	A-75FAM-12	A-75FAM-24	A-75FAM-36	A-75FAM-48	
Output	DC voltage	5V	12V	24V	36V	48V
	Rated current	14A	6A	3.2A	2.1	1.6A
	Current Range	0~14A	0~6A	0~3.2A	0~2.1A	0~1.6A
	Rated power	70W	72W	76.8W	75.6W	76.8W
	Ripple & Noise	120mVp-p	120mVp-p	150mVp-p	200mVp-p	200mVp-p
	Voltage regulation range	$\pm 10.0\%$				
	Voltage accuracy	$\pm 1.0\%$				
	Line regulation	$\pm 0.5\%$				
	Load adjustment rate	$\pm 0.5\%$				
	Rise	500ms, 30ms/230VAC Full Load				
Hold up time (Typ)	60ms/230VAC 12ms/115VAC Full Load					
Input	Voltage range	100~240VAC;				
	Frequency	47~63HZ				
	PFC (Typ)					
	Efficiency (Typ)	85%	88%	90%	92%	92%
	Alternating current	1.4A/115VAC, 0.85A/230V				
	Inrush current (Typ)	50A/230VAC				
	Leakage current	$< 3.5mA/240VAC$				
Protect ions	Overload	110~150% of rated output				
	Short circuit	Hiccup mode, auto-recovery				
	Over Voltage	115%-135% rated output voltage, constant voltage limited				
Enviroment	Working temp.	$-30^{\circ}C \sim +50^{\circ}C$ (refer to output derating curve)				
	Working humidity	10~95%RH non condensing				
	Storage temp.	$-40^{\circ}C \sim +85^{\circ}C$				
	Storage humidity	10~95%RH non condensing				
	temp. coefficient	$\pm 0.03\%/^{\circ}C$ (0~50 $^{\circ}C$)				
	Vibration resistance	10~500Hz, 2G, 10min/cycle, X、Y、Z 60min in each direction				
Safety	Safety standards	design according to GB4943-2001, UL1012				
	withstand voltage	I/P-O/P:3KV AC、I/P-FG: 2KV AC、O/P-FG: 0.5KV AC				
	Isolation Resistance	I/P-O/P、I/P-FG、O/P-FG: 100M Ω /500VDC				
	EMC	EN55022 CLASS B				
Others	Lifetime	100,000 hours (25 $^{\circ}C$)				
	Size	99 \times 97 \times 30 (L*W*H)				
	Weight	0.3Kg/pc				
Rmarks	<p>*In order to extend the lifetime, it is recommended to configure the load no more than 30% of the remaining allowance. For example: the power of the device requires 100W, then use the power of less than 130W.</p> <p>*Ripple test method: 20MHz oscilloscope in power output terminal test, oscilloscope probe wire length is not more than 12mm, and input parallel 47uF electrolytic capacitors and 0.1uF high frequency capacitance probe.</p>					



Load temperature drop curve

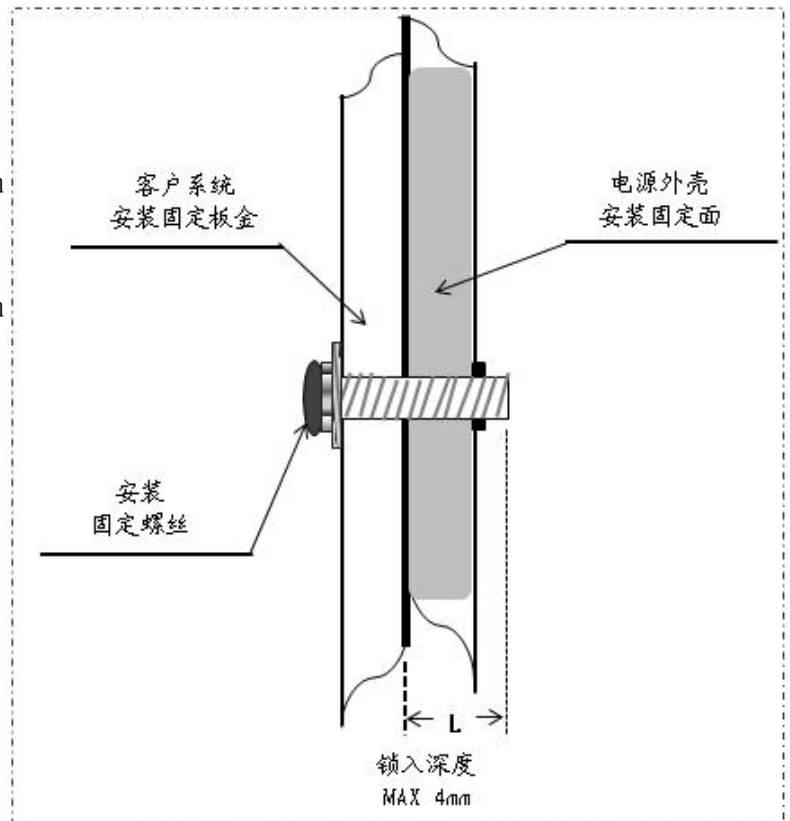


Installation

警示

Warning

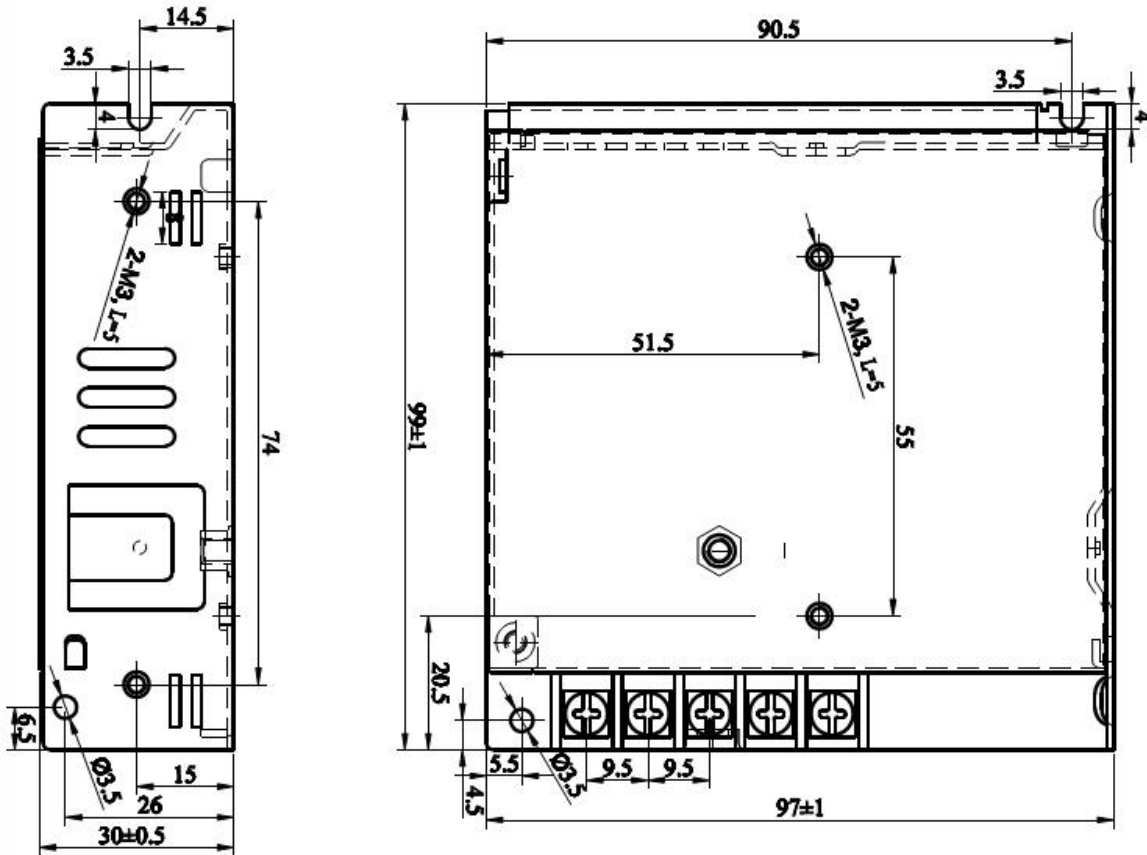
- 使用安装螺丝M3*6mm,
Using the mounting screws M3*6mm
- 深入外壳螺丝深度MAX 4mm,
Deep housing screw depth Max 4mm
- 详见右图
As shown on the right





A-75FAM Switching Power Supply

Drawing:



Pin No.	Assignment	Pin No.	Assignment
1	AC/L	4	DC output (V-)
2	AC/N	5	DC output (V+)
3	FG		