

# CM Series Single Pole Power Rocker Switches

## Features/Benefits

- Illuminated versions available
- Easy to install snap-in design
- Multiple actuator and termination styles to choose from

## Typical Applications

- Computers and peripherals
- Power supplies
- Industrial equipment
- Small appliances
- RoHS compliant



## Specifications

### CONTACT RATING:

- 16 AMPS @ 125 VAC, 1/8 HP;
- 10 AMPS @ 250 VAC, 1/3 HP.

ELECTRICAL LIFE: 10,000 make and break cycles at full load.

INSULATION RESISTANCE:  $10^8 \Omega$  min.

DIELECTRIC STRENGTH: 1,500 VRMS @ sea level.

OPERATING TEMPERATURE: -20°C to +80°C

## Materials

HOUSING AND ACTUATOR: 6/6 nylon (UL94V-2), black, gloss or matte finish.

ILLUMINATED ACTUATOR: Polycarbonate, gloss or matte finish.

CENTER CONTACTS: Silver plated, copper alloy.

END CONTACTS: Silver plated.

ALL TERMINALS: Silver plated, copper alloy.

**NOTE:** Specifications and materials listed above are for switches with standard options. For information on specific and custom switches, consult Customer Service Center.

## Build-A-Switch

To order, simply select desired option from each category and place in the appropriate box. Available options are shown and described on pages G-95 through G-97. For additional options not shown in catalog, consult Customer Service Center.

<b>Switch Function</b>		<b>Actuator</b>		<b>Actuator Color</b>		<b>Mounting Style/Color</b>		<b>Termination</b>		<b>Actuator Marking</b>		<b>Contact Rating</b>		<b>Lamp Rating</b>	
<p><b>CM101</b> SPDT On-None-On  <b>CM102</b> SPST On-None-Off  <b>CM103</b> SPDT On-Off-On  <b>CM107</b> SPDT On-Off-Mom.  <b>CM12</b> * SPST On-None-Off</p>		<p><b>J1</b> Rocker  <b>J3</b> Illuminated rocker</p>		<p><b>2</b> Black  <b>1</b> White  <b>3</b> Red  <b>R</b> Red, illuminated  <b>A</b> Amber, illuminated  <b>G</b> Green, illuminated</p>		<p><b>S2</b> Snap-in, black  <b>S4</b> Snap-in, black  <b>S1</b> Snap-in, white  <b>S3</b> Snap-in, white</p>		<p><b>05</b> .250" quick connect  <b>07</b> Solder lug</p>		<p><b>(NONE)</b> No marking  <b>D</b> ON-OFF  <b>H</b> "O I" - international ON-OFF  <b>P</b> "O -" international ON-OFF</p>		<p><b>QA</b> Silver</p>		<p><b>(NONE)</b> No lamp  <b>7</b> 125 VAC neon  <b>8</b> 250 VAC neon</p>	

\* CM12 - for switches with both marking and illumination

Rocker



16 May 18

Dimensions are shown: Inches (mm)  
Specifications and dimensions subject to change



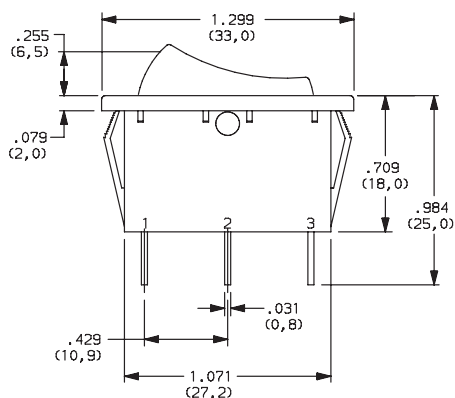
# CM Series Single Pole Power Rocker Switches

## SWITCH FUNCTION

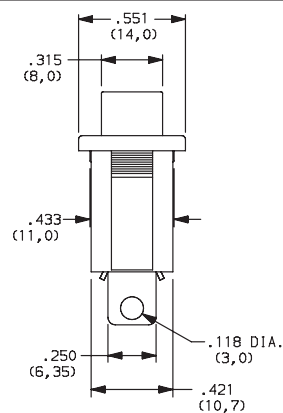


NO. POLES	MODEL NO.	SWITCH FUNCTION			CONNECTED TERMINALS			SCHEMATIC	
		Pos. 1	Pos. 2	Pos. 3	Pos. 1	Pos. 2	Pos. 3		
SP	<b>CM101</b>	ON	NONE	ON	2-1	N/A	2-3		
	<b>CM102</b>	ON	NONE	OFF			OPEN		
	<b>CM103</b>	ON	OFF	ON					
	<b>CM107</b>	ON	OFF	MOM.			OPEN	2-3	
	<b>CM12 *</b>	ON	NONE	OFF			N/A	OPEN	

\* CM12 - for switches with both marking and illumination



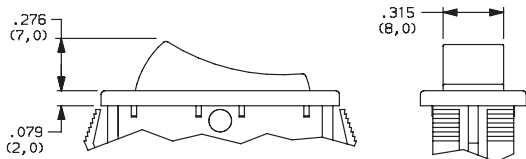
Shown in Pos. 1



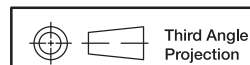
## ACTUATOR



- J1** ROCKER
- J3** ILLUMINATED ROCKER



NOTE: J3 actuator available with CM102 & CM12 switch function only.



Dimensions are shown: Inches (mm)  
Specifications and dimensions subject to change

# CM Series Single Pole Power Rocker Switches

## ACTUATOR COLOR

OPTION CODE	ACTUATOR COLOR
<b>2</b>	BLACK
<b>1</b>	WHITE
<b>3</b>	RED
<b>R</b>	RED, ILLUMINATED
<b>A</b>	AMBER, ILLUMINATED
<b>G</b>	GREEN, ILLUMINATED

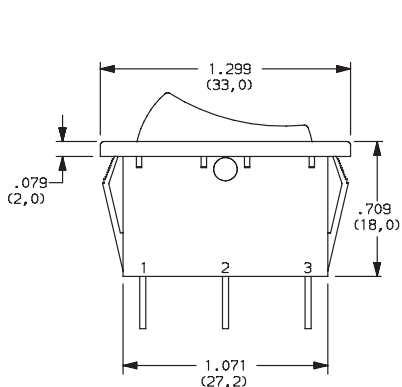
## MOUNTING STYLE/COLOR

**S2** SNAP-IN, BLACK

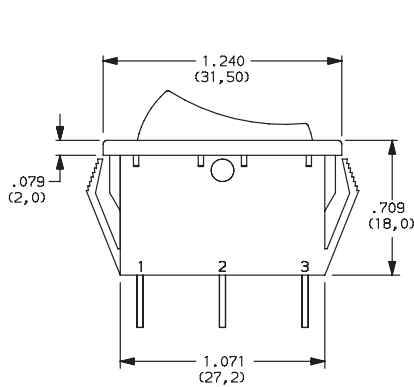
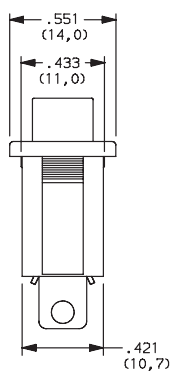
**S1** SNAP-IN, WHITE

**S4** SNAP-IN, BLACK (SHORT FRAME)

**S3** SNAP-IN, WHITE

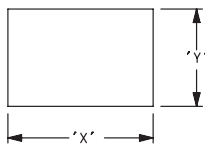


Shown in Pos. 1



Shown in Pos. 1

### PANEL MOUNTING

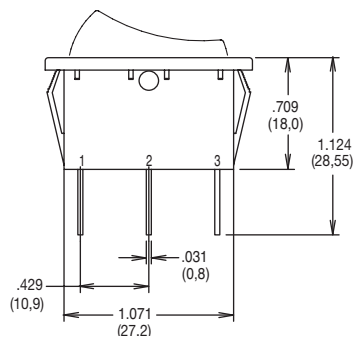


PANEL THICKNESS	"X"	"Y"
0.030-0.049 (0,75-1,25)	1.189-.004 (30,2-0,1)	0.441+.004 (11,2+0,1)
0.049-0.079 (1,25-2,0)	1.197-.004 (30,4-0,1)	0.441+.004 (11,2+0,1)
0.079-0.118 (2,0-3,0)	1.212-.004 (30,8-0,1)	0.441+.004 (11,2+0,1)

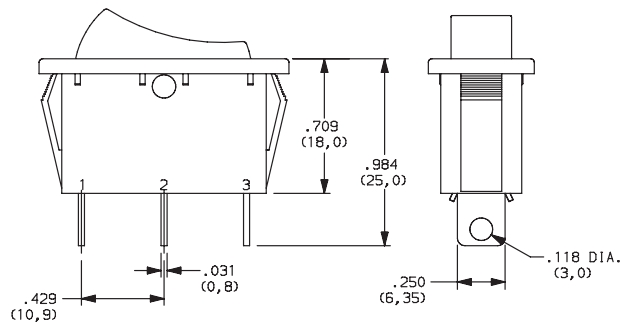
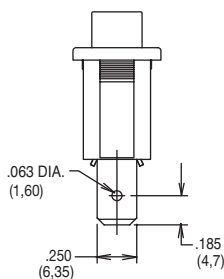
## TERMINATION

**05** .250 QUICK CONNECT

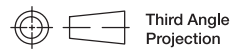
**07** SOLDER LUG



Shown in Pos. 1



**NOTE:** Available with CM101 & CM102 switch functions only.



Third Angle  
Projection

Dimensions are shown: Inches (mm)  
Specifications and dimensions subject to change



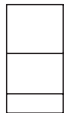
16 May 18



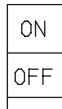
# CM Series Single Pole Power Rocker Switches

## ACTUATOR MARKING

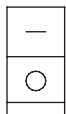
**NONE** NO MARKING



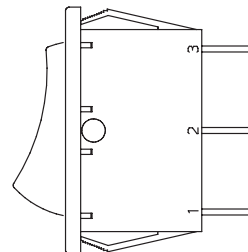
**D** ON-OFF



**H** 0 I



**P** 0 -



**NOTE:** Orientation of actuator marking and terminals.

Shown in Pos. 1

## CONTACT MATERIAL

OPTION CODE	CONTACT AND TERMINAL MATERIAL	RATINGS	
		<b>QA</b>	SILVER

\* Note: See Technical Data section of this catalog for RoHS compliant and compatible definitions and specifications.



## LAMP RATING

**(NONE)** NO LAMP

**7** 125 VAC 33kΩ NEON

**8** 250 VAC 150kΩ NEON

**NOTE:** Lamp rating for J3 & J8 actuator option.

Rocker

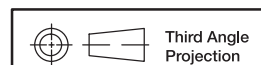


G



16 May 18

G-94



Dimensions are shown: Inches (mm)  
Specifications and dimensions subject to change

[www.ckswitches.com](http://www.ckswitches.com)