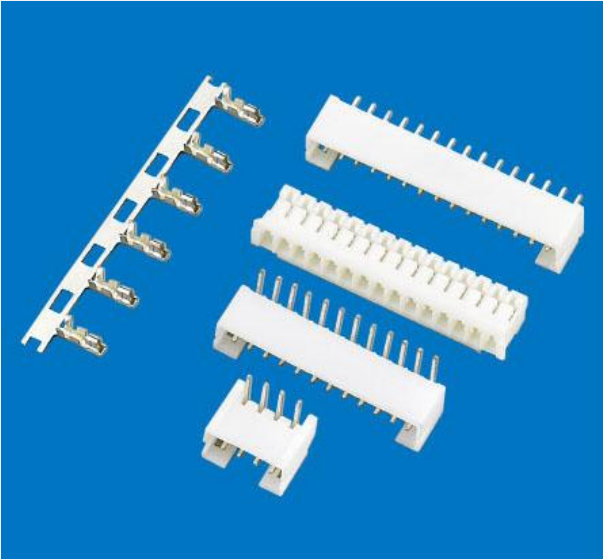


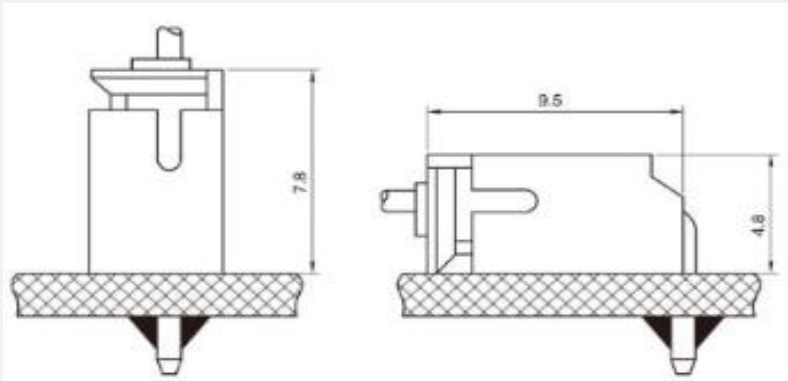
# CONECTORES Y TERMINALES TIPO PH PARA CABLE



## Especificaciones

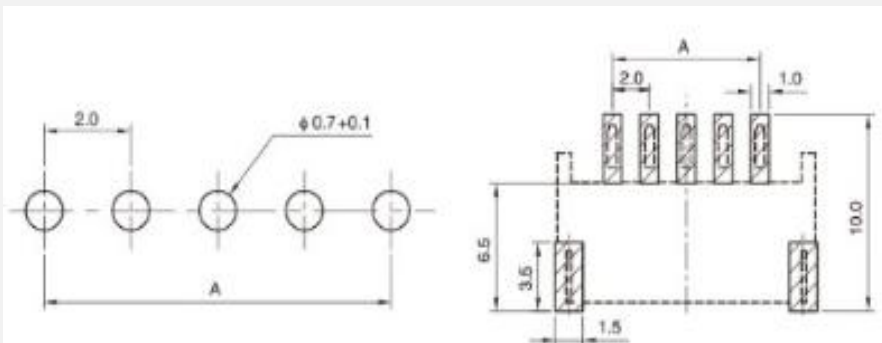
- Polos: 2 ~ 16
- Cables aplicables: AWG # 24 ~ 30
- Grosor de la placa de PCB aplicable: 1.6mm
- Rango de temperatura: -25°C ~ 85°C
- Voltaje nominal: 100VAC/DC
- Corriente nominal: 2A
- Resistencia de contacto:  $\leq 0.02 \Omega$
- Resistencia de aislamiento:  $\geq 1000M\Omega$
- Voltaje soportado: 500 VAC/1 min
- Material:
  - Housing hembra: Nailon poliamida alifática (PA66) UL94V-2/0
  - Housing macho: Nailon poliamida alifática (PA66) UL94V-2/0
  - Terminal: Bronce fosforado

## Medida de montaje



Diseño de montaje (1)

Diseño de montaje (2)



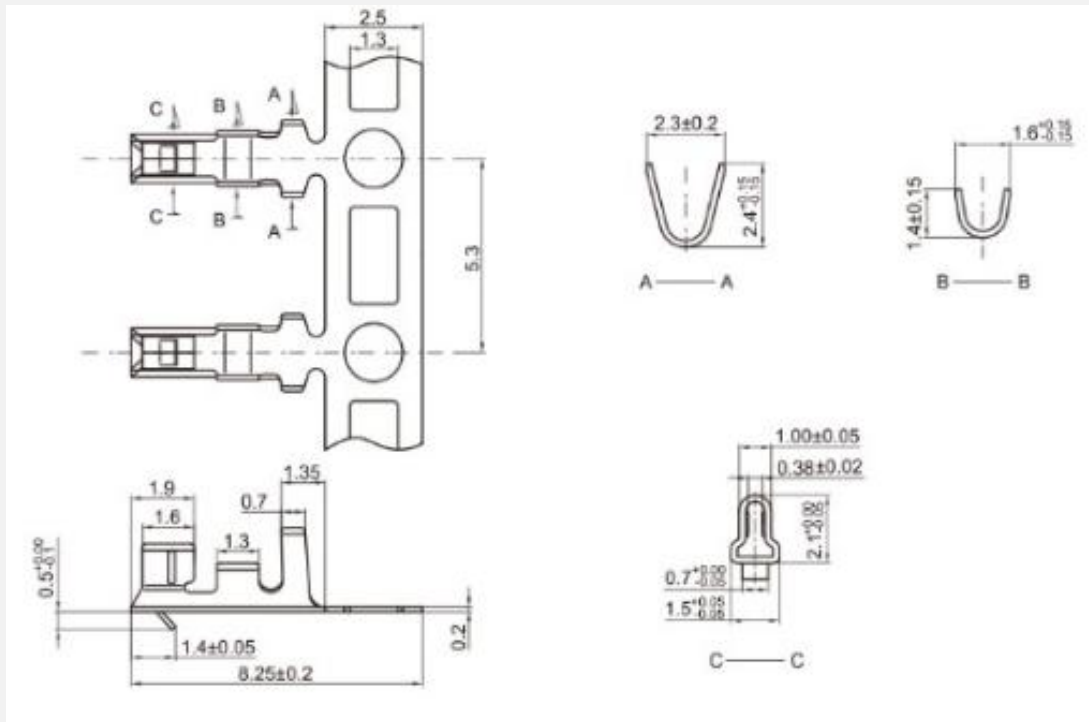
Diseño de PCB

2001-Diseño de PCB WASMT

## Terminal

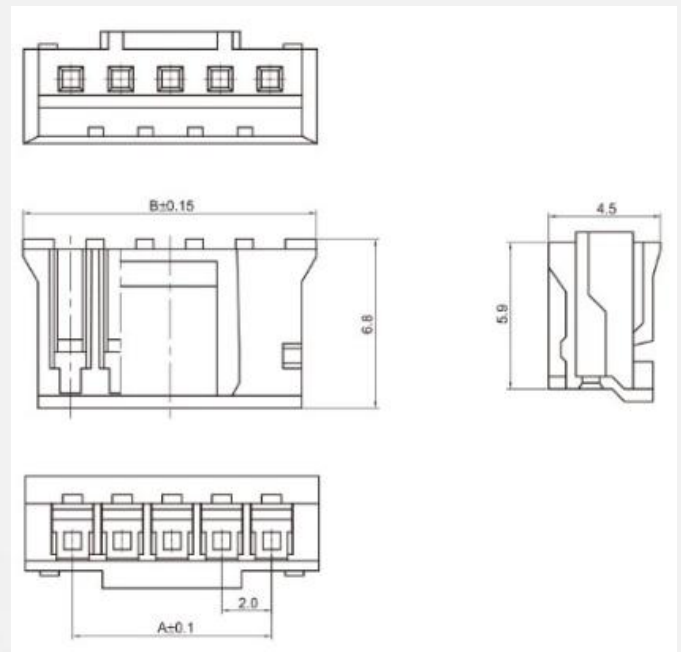
| Tipo          | Cables compatible |         | O.D. de cables  | Enchapado |
|---------------|-------------------|---------|-----------------|-----------|
|               | mm <sup>2</sup>   | AWG#    | mm <sup>2</sup> |           |
| TERMINAL-PH-T | 0.05 ~ 0.22       | 24 ~ 30 | 0.9 ~ 1.5       | Estaño    |

## Dimensión de terminales



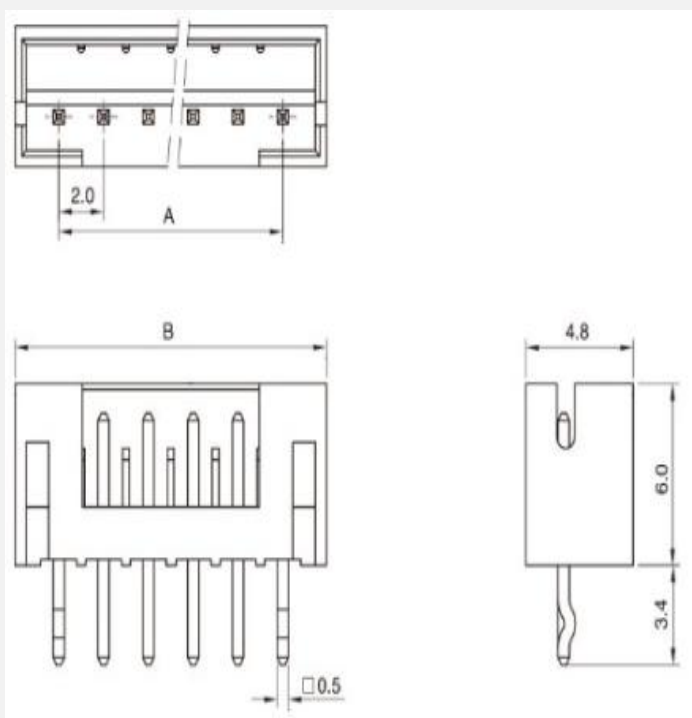
## Conectores Housing Hembra

| Polos | Tipo            | Dimensiones (mm) |      |
|-------|-----------------|------------------|------|
|       |                 | A                | B    |
| 2     | CONECTOR-PH-2Y  | 2.00             | 5.8  |
| 3     | CONECTOR-PH-3Y  | 4.00             | 7.8  |
| 4     | CONECTOR-PH-4Y  | 6.00             | 9.8  |
| 5     | CONECTOR-PH-5Y  | 8.00             | 11.8 |
| 6     | CONECTOR-PH-6Y  | 10.00            | 13.8 |
| 7     | CONECTOR-PH-7Y  | 12.00            | 15.8 |
| 8     | CONECTOR-PH-8Y  | 14.00            | 17.8 |
| 9     | CONECTOR-PH-9Y  | 16.00            | 19.8 |
| 10    | CONECTOR-PH-10Y | 18.00            | 21.8 |
| 11    | CONECTOR-PH-11Y | 20.00            | 23.8 |
| ...   | ...             | ...              | ...  |
| 16    | CONECTOR-PH-16Y | 30.00            | 33.8 |



## Conectores Housing Macho

| Polos | Tipo            | Dimensiones (mm) |       |
|-------|-----------------|------------------|-------|
|       | Housing (A)     | A                | B     |
| 2     | CONECTOR-PH-2A  | 2.00             | 6.00  |
| 3     | CONECTOR-PH-3A  | 4.00             | 8.00  |
| 4     | CONECTOR-PH-4A  | 6.00             | 10.00 |
| 5     | CONECTOR-PH-5A  | 8.00             | 12.00 |
| 6     | CONECTOR-PH-6A  | 10.00            | 14.00 |
| 7     | CONECTOR-PH-7A  | 12.00            | 16.00 |
| 8     | CONECTOR-PH-8A  | 14.00            | 18.00 |
| 9     | CONECTOR-PH-9A  | 16.00            | 20.00 |
| 10    | CONECTOR-PH-10A | 18.00            | 22.00 |
| 11    | CONECTOR-PH-11A | 20.00            | 24.00 |
| ...   | ...             | ...              | ...   |
| 16    | CONECTOR-PH-16A | 30.00            | 34.00 |



AG Electrónica SAPI de CV

República de El Salvador 20 Piso 2,  
Centro Histórico, Centro, 06000  
Ciudad de México, CDMX. Teléfono:  
55 5130 7210

Realizó

ASC

Revisó

JMLM

Fecha

17/06/2024

