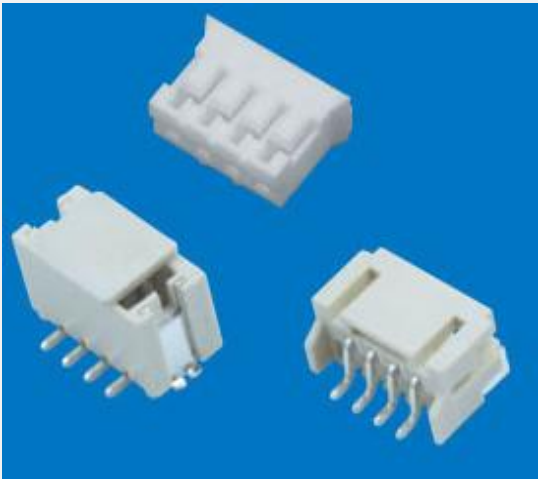


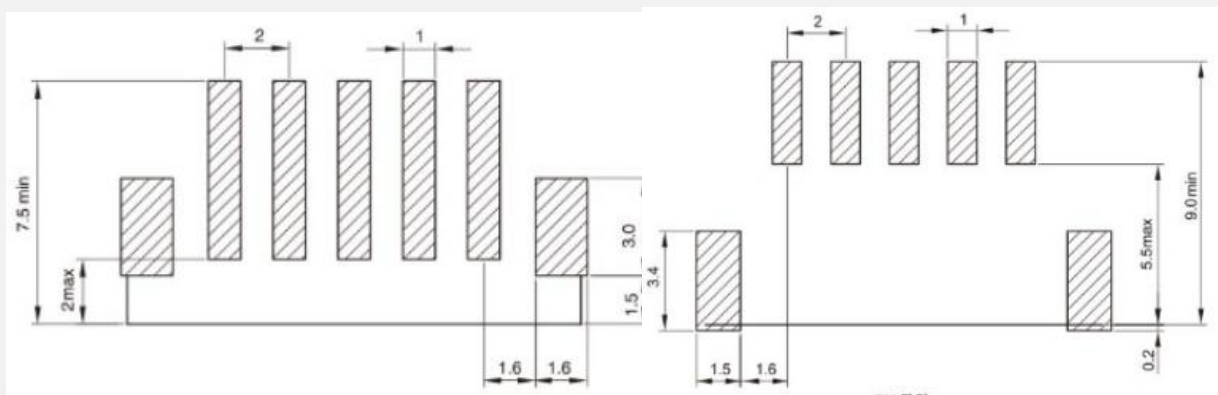
CONECTORES TIPO PH SMT PARA CABLE



Especificaciones

- Polos: 2 ~ 14
- Cables aplicables: AWG# 30 ~ 22
- Rango de temperatura: -25°C ~ 85°C
- Voltaje nominal: 250VAC/DC
- Corriente nominal: 2A
- Resistencia de contacto: $\leq 0,02 \Omega$
- Resistencia de aislamiento: $\geq 1000M\Omega$
- Voltaje soportado: 800 V.CA/1 min
- Material:
 - Cubierta: Nailon (PA66) UL94V-0
 - Oblea: Nailon (PA66) UL94V-2/0
 - Terminal: Bronce fosforado

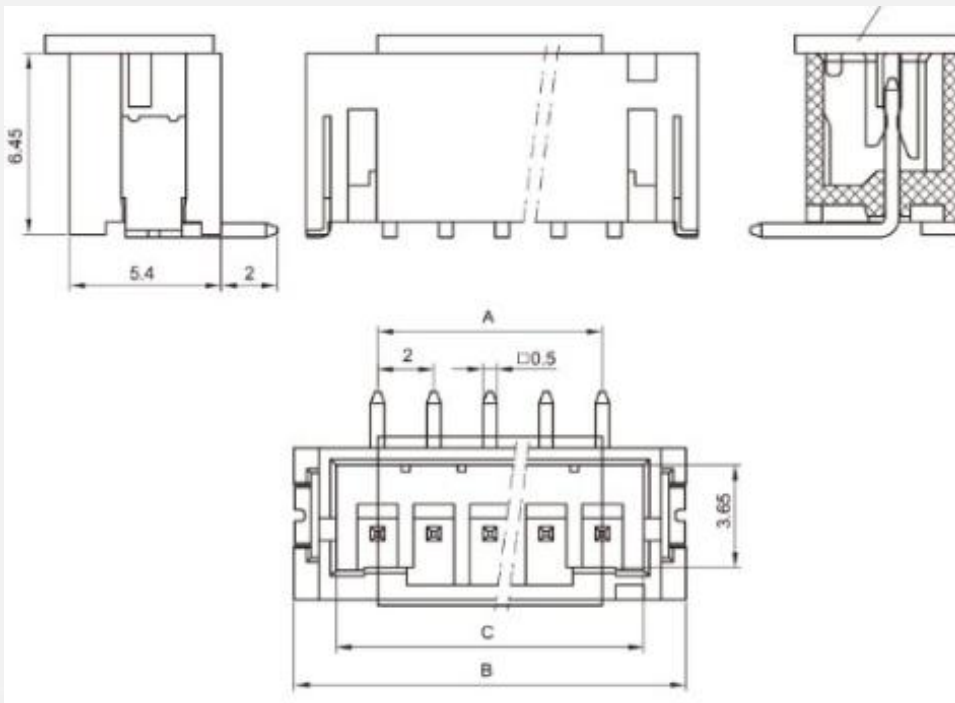
Medida de montaje



Dimensiones

Conectores ángulo recto vertical

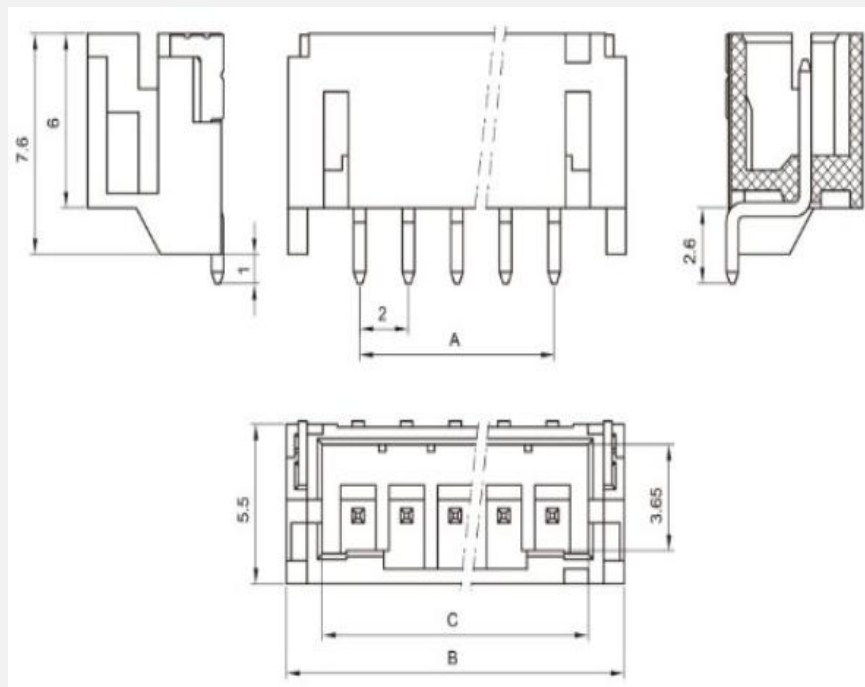
Polos	Tipo	Dimensiones (mm)		
	Housing SMT vertical	A	B	C
2	CONECTOR-PH-2AB	2.00	8.00	5.00
3	CONECTOR-PH-3AB	4.00	10.00	7.00
4	CONECTOR-PH-4AB	6.00	12.00	9.00
5	CONECTOR-PH-5AB	8.00	14.00	11.00
6	CONECTOR-PH-6AB	10.00	16.00	13.00
7	CONECTOR-PH-7AB	12.00	18.00	15.00
8	CONECTOR-PH-8AB	14.00	20.00	17.00
9	CONECTOR-PH-9AB	16.00	22.00	19.00
10	CONECTOR-PH-10AB	18.00	24.00	21.00
11	CONECTOR-PH-11AB	20.00	26.00	23.00
12	CONECTOR-PH-12AB	22.00	28.00	25.00
13	CONECTOR-PH-13AB	24.00	30.00	27.00
14	CONECTOR-PH-14AB	26.00	32.00	29.00



Dimensiones

Conectores ángulo recto horizontal

Polos	Tipo	Dimensiones (mm)		
	Housing SMT horizontal	A	B	C
2	CONECTOR-PH-2AWB	2.00	8.00	5.00
3	CONECTOR-PH-3AWB	4.00	10.00	7.00
4	CONECTOR-PH-4AWB	6.00	12.00	9.00
5	CONECTOR-PH-5AWB	8.00	14.00	11.00
6	CONECTOR-PH-6AWB	10.00	16.00	13.00
7	CONECTOR-PH-7AWB	12.00	18.00	15.00
8	CONECTOR-PH-8AWB	14.00	20.00	17.00
9	CONECTOR-PH-9AWB	16.00	22.00	19.00
10	CONECTOR-PH-10AWB	18.00	24.00	21.00
11	CONECTOR-PH-11AWB	20.00	26.00	23.00
12	CONECTOR-PH-12AWB	22.00	28.00	25.00
13	CONECTOR-PH-13AWB	24.00	30.00	27.00
14	CONECTOR-PH-14AWB	26.00	32.00	29.00



AG Electrónica SAPI de CV

República de El Salvador 20 Piso
2, Centro Histórico, Centro,
06000 Ciudad de México, CDMX.
Teléfono: 55 5130 7210

Realizó

ASC

Revisó

JMLM

Fecha

17/06/2024

