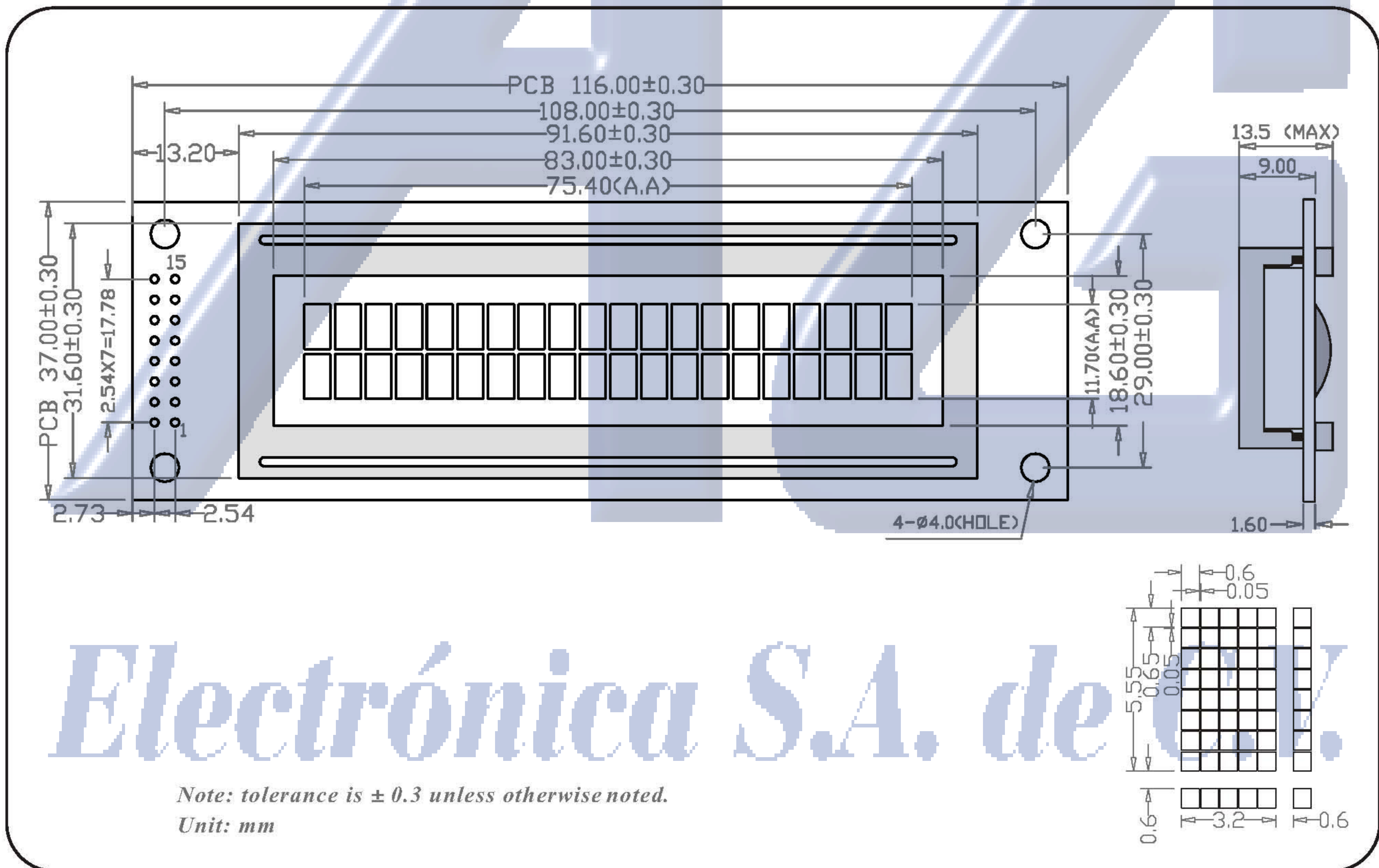


CHARACTERISTICS:

- DISPLAY CONTENT: 20 x 2 CHARACTERS
- LCD TYPE: STN Y/G, STN BLUE, STN GREY
- LED BACKLIGHT: Y/G, WHITE, BLUE, GREEN
- CONTROLLER: KS0066 OR EQUAL
- OPERATING TEMPERATURE: NORMAL(0-50°C); WIDE(-20-70°C)
- POWER SUPPLY: 5.0V
- VIEWING ANGLE: 6H; 12H

DIMENSIONS/DISPLAY CONTENT



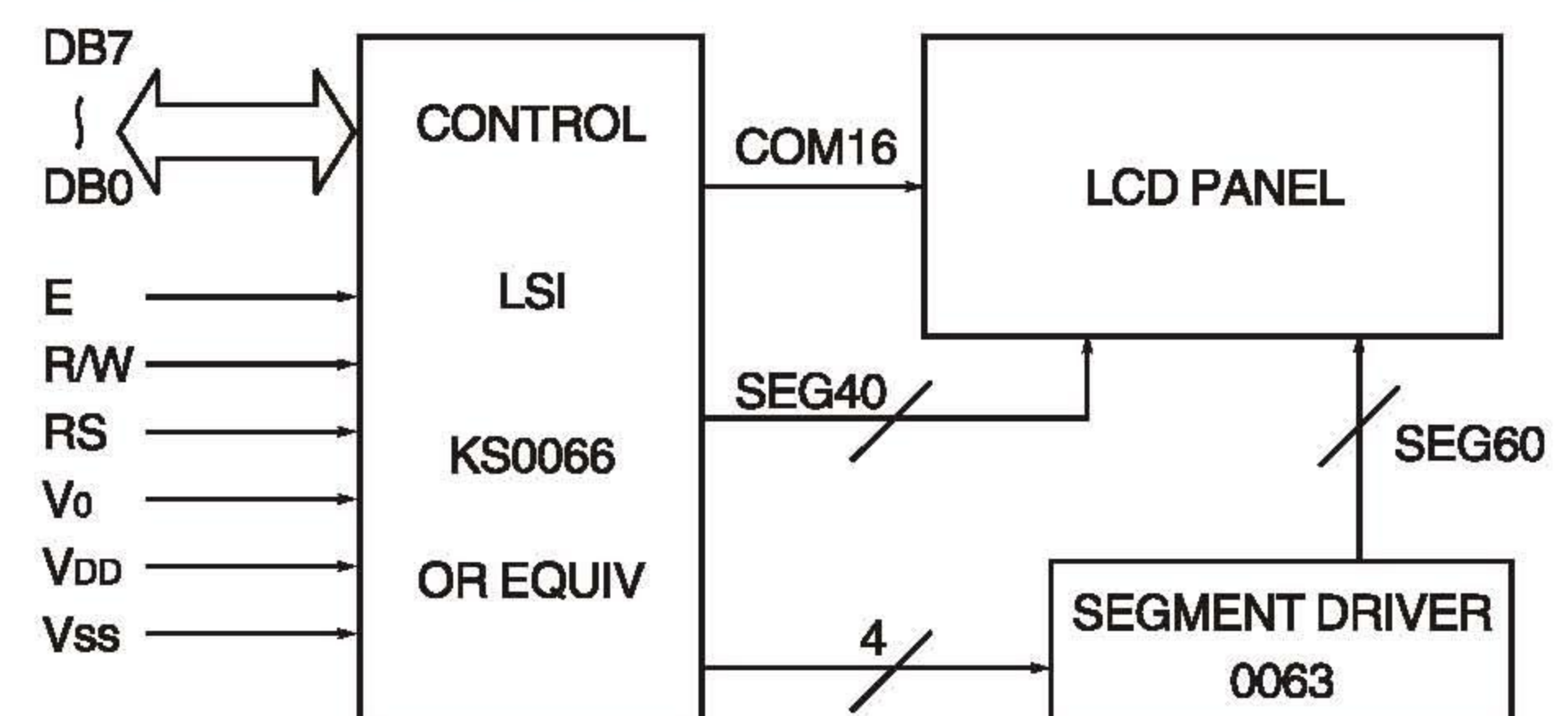
PIN CONFIGURATION

1	2	3	4	5	6	7	8	9	10	11	12	13	14	15	16
Vss	VDD	Vo	RS	R/W	E	DB0	DB1	DB2	DB3	DB4	DB5	DB6	DB7	LEDA	LEDK

PARAMETER (VDD=5.0 ± 10%, Vss=0V, Ta=25°C)

Parameter	Symbol	Standard Values			Unit	
		Min.	Typ.	Max		
Supply voltage	VDD-Vss	4.5	5.0	5.5	V	
Input voltage	H	VIH	2.2	-		VDD
	L	VIL	-0.3	-		0.6
LCD Drive Voltage	-	-	4.7	-		
Operating current	IDD	-	1.2	3.0	mA	

APPLICATION CIRCUIT



APLICACIONES

- TABLEROS INDICADORES
- INDICADORES PARA ASCENSORES
- INDICADORES DE NÚMEROS DE HABITACIÓN
- TORNQUETES
- TABLEROS PARA ALARMA

