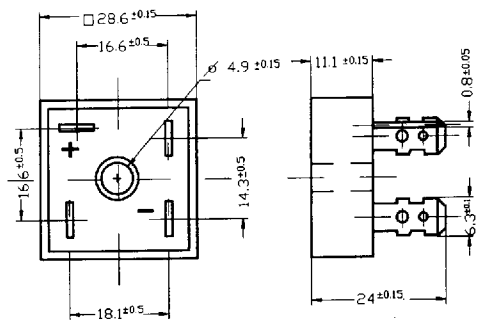


**Silicon Rectifier Bridge**

Nominal current 25 A  
 Repetitive peak reverse voltage 50...1000 V

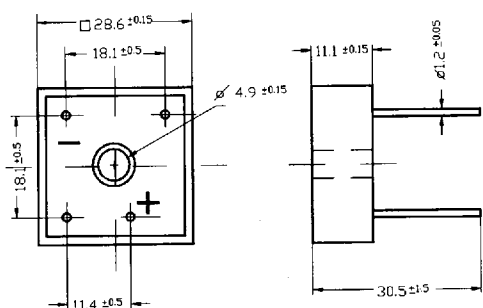


All dimensions in mm. Type "F"

**DIOTEC ELEKTRONISCHE**

Metal case, weight 26g  
 Casting compound according UL94V-0

Available with wire terminals (Type "W") or Faston terminals (Type "F")



All dimensions in mm. Type "W"

**Maximum ratings**

Type	Repetitive peak reverse voltage <sup>1)</sup> V <sub>RRM</sub> [V]	Surge peak reverse voltage <sup>1)</sup> V <sub>RSM</sub> [V]
KBPC 2500, B 20/ 18-25	50	80
KBPC 2501, B 40/ 35-25, (K01)	100	140
KBPC 2502, B 80/ 70-25, (K02)	200	350
KBPC 2504, B125/110-25, (K04)	400	480
KBPC 2506, B250/220-25, (K06)	600	800
KBPC 2508, B380/340-25	800	1000
KBPC 2510, B500/450-25	1000	1300

Repetitive peak forward current I<sub>FRM</sub> 60 A  
 Surge forward current half cycle sine wave starting at T<sub>j</sub>=25°C I<sub>FSM</sub> 300 A  
 Junction temperature T<sub>j</sub> 150 °C  
 Operating temperature T<sub>A</sub> -40 - 150 °C  
 Storage temperature T<sub>S</sub> -40 - 150 °C

<sup>1)</sup> Valid for one branch

Characteristics

DIOTEC ELEKTRONISCHE

Forward voltage $I_F=12.5\text{ A}$ , $T_A=25^\circ\text{C}$	$V_F$	< 1.2 V
Leakage current at $V_{RRM}$	$I_R$	< 25 $\mu\text{A}$
Thermal resistance Junction to case	$R_{Thc}$	< 2.0 K/W
Isolation voltage Terminals to case	$V_{Iso}$	> 2500 V

