

**4 TERMINAL 3A OUTPUT LOW DROP  
VOLTAGE REGULATOR**

The KIA378R × × Series are Low Drop Voltage Regulator suitable for various electronic equipments. It provides constant voltage power source with TO-220IS-4 terminal lead full molded PKG.

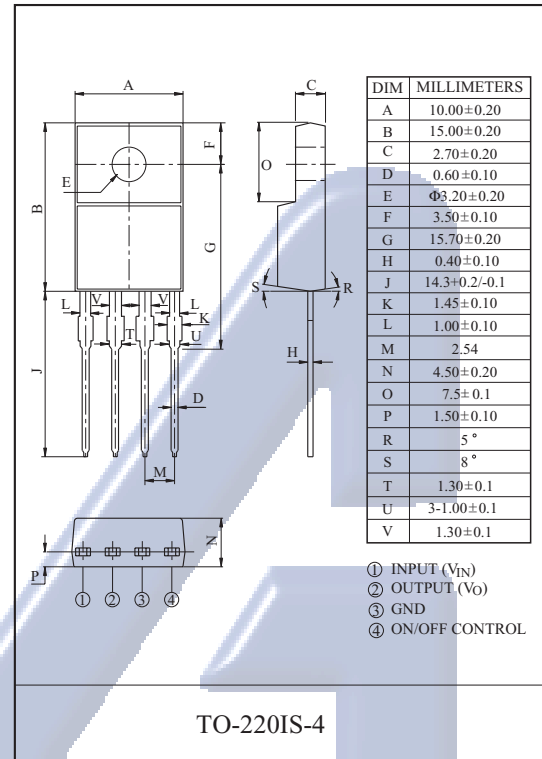
The Regulator has multi-function such as over current protection, overheat protection and ON/OFF control.

**FEATURES**

- 3.0A Output Low Drop Voltage Regulator.
- Built in ON/OFF Control Terminal.
- Built in Over Current Protection, Over Heat Protection Function.

**LINE UP**

ITEM	OUTPUT VOLTAGE (Typ.)	UNIT
KIA378R05PI	5	V
KIA378R06PI	6	
KIA378R08PI	8	
KIA378R09PI	9	
KIA378R10PI	10	
KIA378R12PI	12	
KIA378R15PI	15	

**MAXIMUM RATINGS (Ta=25 °C)**

CHARACTERISTIC	SYMBOL	RATING	UNIT	Remark
Input Voltage	V <sub>IN</sub>	35	V	-
ON/OFF Control Voltage	V <sub>C</sub>	35	V	-
Output Current	I <sub>O</sub>	3	A	-
Power Dissipation 1	P <sub>d1</sub>	1.5	W	No heatsink
Power Dissipation 2	P <sub>d2</sub>	15	W	with heatsink
Operating Junction Temperature	T <sub>J(opr)</sub>	-40 ~ 150	°C	-
Storage Temperature	T <sub>stg</sub>	-45 ~ 150	°C	-
Soldering Temperature (10sec)	T <sub>sol</sub>	260	°C	-

# KIA378R05PI~KIA378R15PI

## ELECTRICAL CHARACTERISTICS (Unless otherwise specified, $I_O=1.0A$ , $T_a=25\text{ }^\circ\text{C}$ , Note1.)

CHARACTERISTIC		SYMBOL	CONDITIONS	MIN.	TYP.	MAX.	UNIT
Output Voltage	KIA378R05	$V_O$	-	4.88	5.0	5.12	V
	KIA378R06		-	5.85	6.0	6.15	
	KIA378R08		-	7.80	8.0	8.2	
	KIA378R09		-	8.78	9.0	9.22	
	KIA378R10		-	9.75	10.0	10.25	
	KIA378R12		-	11.70	12.0	12.30	
	KIA378R15		-	14.70	15.0	15.30	
Load Regulation		Reg Load	$I_O=5mA \sim 3A$	-	0.1	2.0	%
Line Regulation		Reg Line	(Note 2)	-	0.5	2.5	%
Temperature Coefficient of Output Voltage		$T_C V_O$	$T_j=0 \sim 125\text{ }^\circ\text{C}$	-	$\pm 0.02$	$\pm 0.05$	%/ $^\circ\text{C}$
Ripple Rejection		$R \cdot R$	-	45	55	-	dB
Drop Out Voltage		$V_D$	$I_O=3A$	-	-	0.5	V
Output ON state for control Voltage		$V_{C(ON)}$	-	2.0	-	-	V
Output ON state for control Current		$I_{C(ON)}$	$V_C=2.7V$	-	-	20	$\mu\text{A}$
Output OFF state for control Voltage		$V_{C(OFF)}$	-	-	-	0.8	V
Output OFF state for control Current		$I_{C(OFF)}$	$V_C=0.4V$	-	-	-0.4	mA
Quiescent Current		$I_Q$	$I_O=0$	-	-	10	mA

Note1)  $V_{IN}$  of KIA378R05=7V  
 " KIA378R06=8V  
 " KIA378R08=10V  
 " KIA378R09=15V  
 " KIA378R10=16V  
 " KIA378R12=18V  
 " KIA378R15=21V

Note2)  $V_{IN}$  of KIA378R05=6~12V  
 " KIA378R06=7~15V  
 " KIA378R08=9~25V  
 " KIA378R09=10~25V  
 " KIA378R10=11~26V  
 " KIA378R12=13~29V  
 " KIA378R15=16~32V

Note3) At  $V_{IN}=0.95V_O$

*Electrónica S.A. de C.V.*

### BLOCK DIAGRAM

