



LC72137, 72137M

PLL Frequency Synthesizer for Electronic Tuning



Overview

The LC72137 and LC72137M are PLL frequency synthesizers for use in radio/cassette players. They allow high-performance AM/FM tuners to be implemented easily.

Features

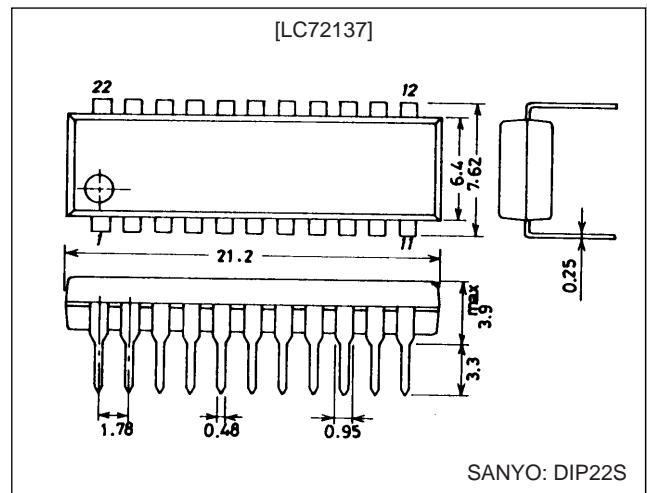
- High-speed programmable frequency divider
 - FMIN: 10 to 160 MHz.....Pulse swallower
(divide-by-two prescaler built in)
 - AMIN: 2 to 40 MHz.....Pulse swallower
0.5 to 10 MHz.....Direct division
- IF counter
IFIN: 0.4 to 12 MHz.....For use as an AM/FM IF counter
- Reference frequency
 - Selectable from one of eight frequencies (crystal oscillator: 75 kHz)
1, 3, 5, 3.125, 6.25, 12.5, 15, and 25 kHz
- Phase comparator
 - Supports dead zone control
 - Built-in unlock detection circuit
 - Built-in deadlock clear circuit
- Built-in MOS transistor for forming an active low-pass filter
- I/O ports
 - Dedicated output ports: 4
 - I/O ports: 2
 - Supports clock time base output
- Serial Data I/O
 - Supports CCB format communication with the system controller.
- Operating ranges
 - Supply voltage: 2.5 to 3.6 V
 - Operating temperature: -20 to +70°C
- Packages
 - DIP22S/MFP20

- CCB is a trademark of SANYO ELECTRIC CO., LTD.
- CCB is SANYO's original bus format and all the bus addresses are controlled by SANYO.

Package Dimensions

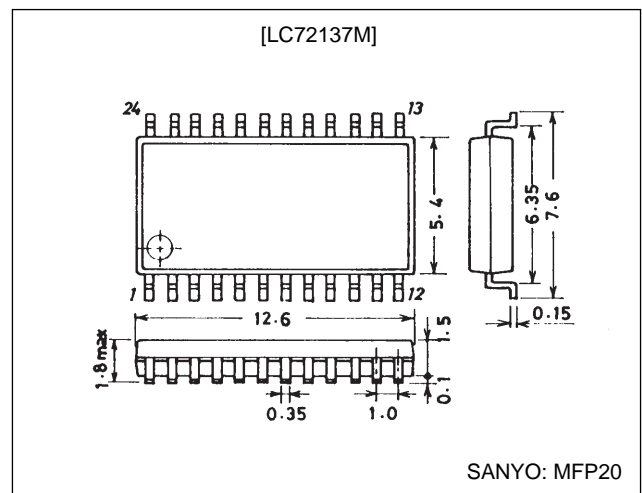
unit: mm

3059-DIP22S



unit: mm

3036B-MFP20



Specifications

Absolute Maximum Ratings at Ta = 25°C, VSS = 0 V

| Parameter | Symbol | Conditions | Ratings | Unit |
|-----------------------------|----------------------|---------------------------------|-------------------------------|------|
| Maximum supply voltage | V _{DD} max | V _{DD} | -0.3 to +7.0 | V |
| Maximum input voltage | V _{IN1} max | CE, CL, DI, AIN | -0.3 to +7.0 | V |
| | V _{IN2} max | XIN, FMIN, AMIN, IFIN | -0.3 to V _{DD} + 0.3 | V |
| | V _{IN3} max | IO1, IO2 | -0.3 to +15 | V |
| Maximum output voltage | V _{O1} max | DO | -0.3 to +7.0 | V |
| | V _{O2} max | XOUT, PD | -0.3 to V _{DD} + 0.3 | V |
| | V _{O3} max | BO1 to BO5, BOF, IO1, IO2, AOUT | -0.3 to +15 | V |
| Maximum output current | I _O max | BO1 to BO4, IO1, IO2, DO, AOUT | 0 to 6.0 | mA |
| Allowable power dissipation | Pd max | Ta ≤ 70°C: LC72136N (DIP22S) | 350 | mW |
| | | Ta ≤ 70°C: LC72136NM (MFP20) | 180 | mW |
| Operating temperature | Topr | | -20 to +70 | °C |
| Storage temperature | Tstg | | -40 to +125 | °C |

Allowable Operating Ranges at Ta = -20 to +70°C, VSS = 0 V

| Parameter | Symbol | Conditions | Ratings | | | Unit |
|---|--------------------|----------------------------------|---------------------|-----|---------------------|-------|
| | | | min | typ | max | |
| Supply voltage | V _{DD} | V _{DD} | 2.5 | | 3.6 | V |
| Input high-level voltage | V _{IH1} | CE, CL, DI | 0.7 V _{DD} | | 6.5 | V |
| | V _{IH2} | IO1, IO2 | 0.7 V _{DD} | | 13 | V |
| Input low-level voltage | V _{IL} | CE, CL, DI, IO1, IO2 | 0 | | 0.3 V _{DD} | V |
| Output voltage | V _{O1} | DO | 0 | | 6.5 | V |
| | V _{O2} | BO1 to BO4, IO1, IO2, AOUT | 0 | | 13 | V |
| Input frequency | f _{IN1} | XIN: V _{IN1} | | 75 | | kHz |
| | f _{IN2} | FMIN: V _{IN2} | 10 | | 160 | MHz |
| | f _{IN3} | AMIN: V _{IN3} , SNS = 1 | 2 | | 40 | MHz |
| | f _{IN4} | AMIN: V _{IN4} , SNS = 0 | 0.5 | | 10 | MHz |
| | f _{IN5} | IFIN: V _{IN5} | 0.4 | | 12 | MHz |
| Input amplitude | V _{IN1} | XIN: f _{IN1} | 200 | | 800 | mVrms |
| | V _{IN2-1} | FMIN: f = 10 to 130 MHz | 20 | | 800 | mVrms |
| | V _{IN2-2} | FMIN: f = 130 to 160 MHz | 40 | | 800 | mVrms |
| | V _{IN3} | AMIN: f _{IN3} , SNS = 1 | 40 | | 800 | mVrms |
| | V _{IN4} | AMIN: f _{IN4} , SNS = 0 | 40 | | 800 | mVrms |
| | V _{IN5-1} | IFIN: f _{IN5} , IFS = 1 | 40 | | 800 | mVrms |
| | V _{IN5-2} | IFIN: f _{IN6} , IFS = 0 | 70 | | 800 | mVrms |
| Guaranteed crystal oscillator frequency | Xtal | XIN, XOUT * | | 75 | | kHz |

* Note : Recommended crystal oscillator CI value : CI ≤ 35 kΩ

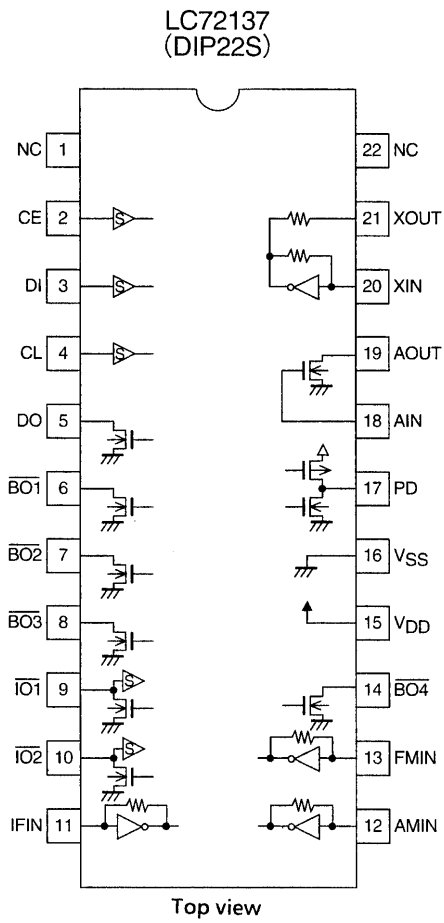
LC72137, 72137M

Electrical Characteristics within the allowable operating ranges

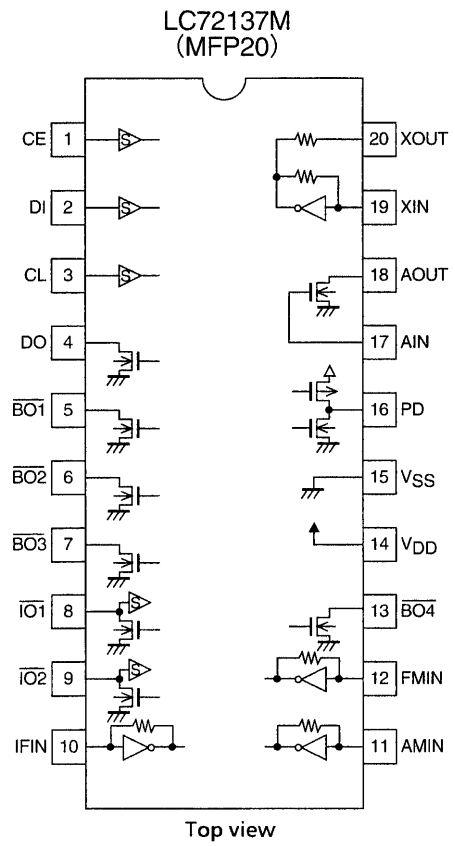
| Parameter | Symbol | Conditions | Ratings | | | Unit |
|--|-------------------|--|-----------------------|---------------------|------|------|
| | | | min | typ | max | |
| Internal feedback resistors | Rf1 | XIN | | 8.0 | | MΩ |
| | Rf2 | FMIN | | 500 | | kΩ |
| | Rf3 | AMIN | | 500 | | kΩ |
| | Rf4 | IFIN | | 250 | | kΩ |
| Internal pull-down resistors | Rpd1 | FMIN | | 200 | | kΩ |
| | Rpd2 | AMIN | | 200 | | kΩ |
| Internal output resistor | Rd | XOUT | | 250 | | kΩ |
| Hysteresis | V _{HIS} | CE, CL, DI, IO1, IO2 | | 0.1 V _{DD} | | V |
| Output high-level voltage | V _{OH1} | PD: I _O = -1 mA | V _{DD} - 1.0 | | | V |
| Output low-level voltage | V _{OL1} | PD: I _O = 1 mA | | | 1.0 | V |
| | V _{OL2} | BO1 to BO4, IO1, IO2; I _O = 1 mA | | | 0.25 | V |
| | | BO1 to BO4, IO1, IO2; I _O = 5 mA | | | 1.25 | V |
| | V _{OL3} | DO: I _O = 1 mA | | | 0.25 | V |
| | V _{OL4} | AOUT, A _{IN} = 1.3 V | | | 0.5 | |
| Input high-level voltage | I _{IH1} | CE, CL, DI: V _I = 6.5 V | | | 5.0 | μA |
| | I _{IH2} | IO1, IO2: V _I = 13 V | | | 5.0 | μA |
| | I _{IH3} | XIN: V _I = V _{DD} | 0.16 | | 0.9 | μA |
| | I _{IH4} | FMIN, AMIN: V _I = V _{DD} | 2.5 | | 15 | μA |
| | I _{IH5} | IFIN: V _I = V _{DD} | 5.0 | | 30 | μA |
| | I _{IH6} | AIN: V _I = 6.5 V | | | 200 | nA |
| Input low-level current | I _{IL1} | CE, CL, DI: V _I = 0 V | | | 5.0 | μA |
| | I _{IL2} | IO1, IO2: V _I = 0 V | | | 5.0 | μA |
| | I _{IL3} | XIN: V _I = 0 V | 0.16 | | 0.9 | μA |
| | I _{IL4} | FMIN, AMIN: V _I = 0 V | 2.5 | | 15 | μA |
| | I _{IL5} | IFIN: V _I = 0 V | 5.0 | | 30 | μA |
| | I _{IL6} | AIN: V _I = 0 V | | | 200 | nA |
| Output off leakage current | I _{OFF1} | BO1 to BO4, AOUT, IO1, IO2: V _O = 13 V | | | 5.0 | μA |
| | I _{OFF2} | DO: V _O = 6.5 V | | | 5.0 | μA |
| High-level three-state off leakage current | I _{OFFH} | PD: V _O = V _{DD} | | 0.01 | 200 | nA |
| Low-level three-state off leakage current | I _{OFFL} | PD: V _O = 0 V | | 0.01 | 200 | nA |
| Input capacitance | C _{IN} | FMIN | | 6 | | pF |
| Current drain | I _{DD1} | V _{DD} : Xtal = 75 kHz, f _{IN2} = 130 MHz, V _{IN2} = 20 mVrms | | 2.5 | 6 | mA |
| | I _{DD2} | V _{DD} : PLL block stopped (PLL inhibit), Xtal oscillator operating (Xtal = 75 kHz) | | 20 | | mA |
| | I _{DD3} | V _{DD} : PLL block stopped, Xtal oscillator stopped | | | 10 | μA |

LC72137, 72137M

Pin Assignments

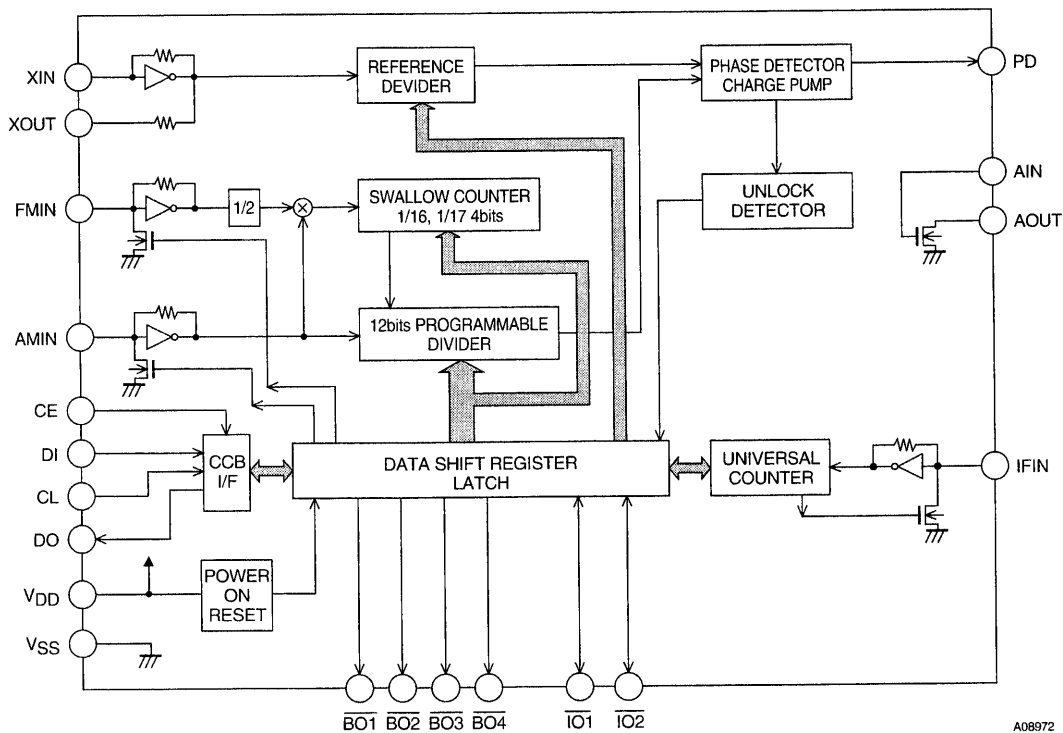


A08970



A08971

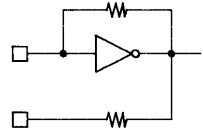
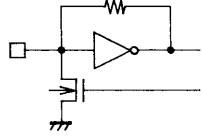
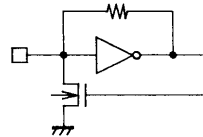
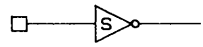
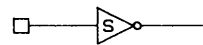
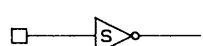
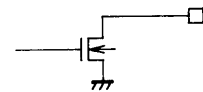
Block Diagram



A08972

LC72137, 72137M

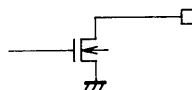
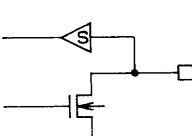
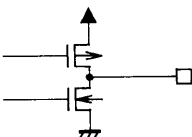
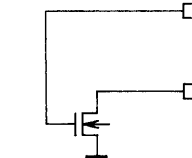
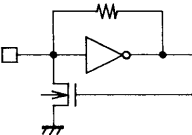
Pin Descriptions

| Symbol | Pin No. (MFP pin numbers are in parentheses.) | Type | Functions | Circuit configuration |
|-----------------|---|----------------------------------|---|--|
| XIN XOUT | 20 (19) 21 (21) | Xtal | <ul style="list-style-type: none"> Crystal oscillator connections (75 kHz) |  <p style="text-align: right;">A03414</p> |
| FMIN | 13 (12) | Local oscillator signal input | <ul style="list-style-type: none"> FMIN is selected when the serial data input DVS bit is set to 1. The input frequency range is from 10 to 160 MHz. The input signal passes through the internal divide-by-two prescaler and is input to the swallow counter. The divisor can be in the range 272 to 65535. However, since the signal has passed through the divide-by-two prescaler, the actual divisor is twice the set value. |  <p style="text-align: right;">A02599</p> |
| AMIN | 12 (11) | Local oscillator signal input | <ul style="list-style-type: none"> AMIN is selected when the serial data input DVS bit is set to 0. When the serial data input SNS bit is set to 1: <ul style="list-style-type: none"> The input frequency range is 2 to 40 MHz. The signal is directly input to the swallow counter. The divisor can be in the range 272 to 65535, and the divisor used will be the value set. When the serial data input SNS bit is set to 0: <ul style="list-style-type: none"> The input frequency range is 0.5 to 10 MHz. The signal is directly input to a 12-bit programmable divider. The divisor can be in the range 4 to 4095, and the divisor used will be the value set. |  <p style="text-align: right;">A02599</p> |
| CE | 2 (1) | Chip enable | <ul style="list-style-type: none"> Set this pin high when inputting (DI) or outputting (DO) serial data. |  <p style="text-align: right;">A02600</p> |
| DI | 3 (2) | Input data | <ul style="list-style-type: none"> Inputs serial data transferred from the controller to the LC72137. |  <p style="text-align: right;">A02600</p> |
| CL | 4 (3) | Clock | <ul style="list-style-type: none"> Used as the synchronization clock when inputting (DI) or outputting (DO) serial data. |  <p style="text-align: right;">A02600</p> |
| DO | 5 (4) | Output data | <ul style="list-style-type: none"> Outputs serial data transferred from the LC72137 to the controller. The data output is determined by the DOC0 to DOC2 bits in the serial data. |  <p style="text-align: right;">A02601</p> |
| V _{DD} | 15 (14) | Power supply | <ul style="list-style-type: none"> The LC72137 power supply pin. (V_{DD} = 2.5 to 3.6 V) The power on reset circuit operates when power is first applied. | |
| V _{SS} | 16 (15) | Ground | <ul style="list-style-type: none"> The LC72137N ground | |

Continued on next page.

LC72137, 72137M

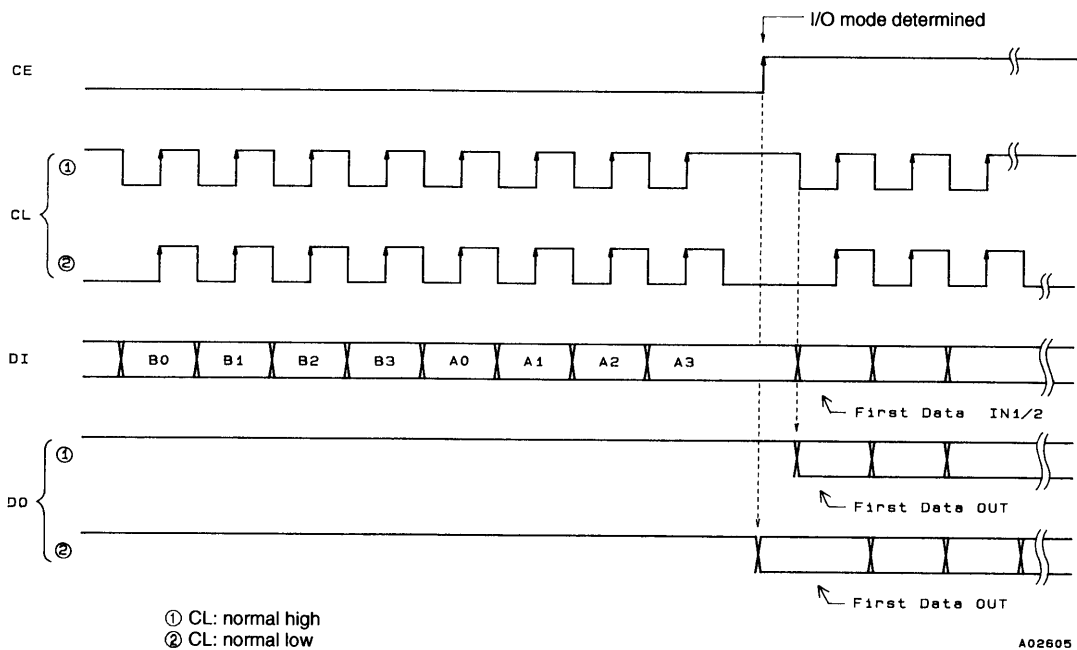
Continued from preceding page.

| Symbol | Pin No. (MFP pin numbers are in parentheses.) | Type | Functions | Circuit configuration |
|--|---|--------------------------------------|--|---|
| $\overline{\text{BO1}}$ $\overline{\text{BO2}}$ $\overline{\text{BO3}}$ $\overline{\text{BO4}}$ | 6 (5) 7 (6) 8 (7) 14 (13) | Output ports | <ul style="list-style-type: none"> Dedicated outputs The output states are determined by the BO1 to BO5 bits in the serial data. Data: 0 = open, 1 = low A time base signal (8 Hz) can be output from the $\overline{\text{BO1}}$ pin. (When the serial data TBC bit is set to 1.) |  <p style="text-align: right;">A02601</p> |
| $\overline{\text{IO1}}$ $\overline{\text{IO2}}$ | 9 (8) 10 (9) | Input or output ports | <ul style="list-style-type: none"> I/O dual-use pins The direction (input or output) is determined by bits IOC1 and IOC2 in the serial data. Data: 0 = input port, 1 = output port When specified for use as input ports: The state of the input pin is transmitted to the controller over the DO pin. Input state: low = 0 data value high = 1 data value When specified for use as output ports: The output states are determined by the IO1 and IO2 bits in the serial data. Data: 0 = open, 1 = low These pins function as input pins following a power on reset. |  <p style="text-align: right;">A02602</p> |
| PD | 17 (16) | Charge pump output | <ul style="list-style-type: none"> PLL charge pump output When the frequency generated by dividing the local oscillator signal frequency by N is higher than the reference frequency, a high level is output from the PD pin. Similarly, when that frequency is lower, a low level is output. The PD pin goes to the high-impedance state when the frequencies match. |  <p style="text-align: right;">A02603</p> |
| AIN AOUT | 18 (17) 19 (18) | LPF amplifier transistor connections | <ul style="list-style-type: none"> The n-channel MOS transistor used for the PLL active low-pass filter. |  <p style="text-align: right;">A02604</p> |
| IFIN | 10 (9) | IF counter | <ul style="list-style-type: none"> Accepts an input in the frequency range 0.4 to 12 MHz. The input signal is directly transmitted to the IF counter. The result is output starting the MSB of the IF counter using the DO pin. Four measurement periods are supported: 4, 8, 16, and 32 ms. |  <p style="text-align: right;">A02599</p> |
| NC | 1 (-) 22 (-) | NC Pin | <ul style="list-style-type: none"> No connection | |

Serial Data I/O Procedures

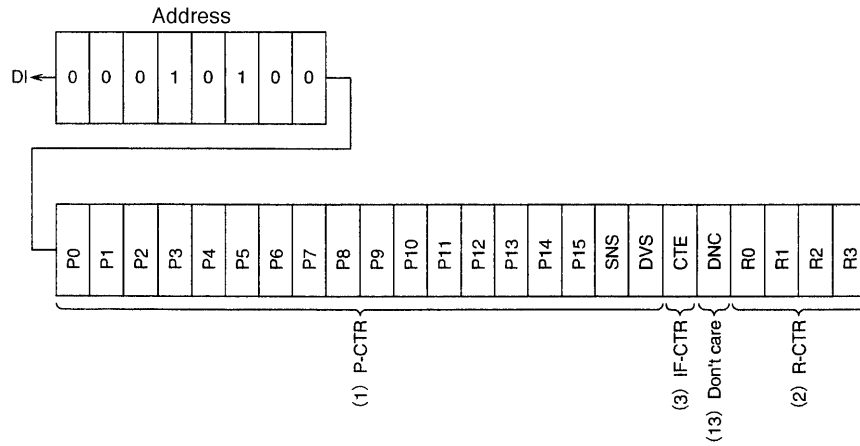
The LC72137 inputs and outputs data using the Sanyo CCB (computer control bus) audio IC serial bus format. This IC adopts an 8-bit address format CCB.

| | I/O mode | Address | | | | | | | | Function |
|---|----------|---------|----|----|----|----|----|----|----|---|
| | | B0 | B1 | B2 | B3 | A0 | A1 | A2 | A3 | |
| 1 | IN1 (82) | 0 | 0 | 0 | 1 | 0 | 1 | 0 | 0 | <ul style="list-style-type: none"> Control data input mode (serial data input) 24 data bits are input. See the "DI Control Data (serial data input) Structure" item for details on the meaning of the input data. |
| 2 | IN2 (92) | 1 | 0 | 0 | 1 | 0 | 1 | 0 | 0 | <ul style="list-style-type: none"> Control data input mode (serial data input) 24 data bits are input. See the "DI Control Data (serial data input) Structure" item for details on the meaning of the input data. |
| 3 | OUT (A2) | 0 | 1 | 0 | 1 | 0 | 1 | 0 | 0 | <ul style="list-style-type: none"> Data output mode (serial data output) The number of bits output is equal to the number of clock cycles. See the "DO Output Data (Serial Data Output) Structure" item for details on the meaning of the output data. |



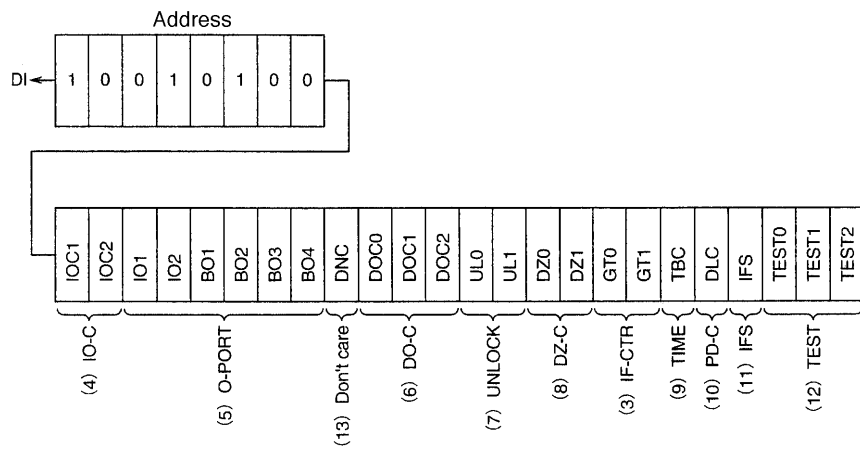
DI Control Data (serial data input) Structure

1. IN1 Mode



A08986

2. IN2 Mode



A08987

DI Control Data Descriptions

| No. | Control block/data | Description | Related data | | | | | | | | | | | | | | | | | | | | | | | | | | | | | | | | | | | | | | | | | | | | | | | | | | | | | | | | | | | | | | | | | | | | | | | | | | | | | | | | | | | | | |
|-----|--|--|-----------------------|--------------------------------|-----------------------|---------------------|---------------------------|---|---|--------|--------------|--------------------------------|---|--------|----|--------------|--------------------------|--------|---|----|-----------|--------------------------|-----|-----|-----------|-----------------------|----|---|------|---------------|---|------|------|-------------|---|---|------|---------------|---|---|---|-------|---|---|---|---|-------|---|---|---|---|---|---|---|---|---|---|---|---|---|---|---|---|---|---|---|---|---|---|---|---|---|---|---|---|---|----|---|---|---|---|-----------------------------|---|---|---|---|-------------|--|
| (1) | Programmable divider data P0 to P15 DVS, SNS | <ul style="list-style-type: none"> Data that sets the programmable divider A binary value in which P15 is the MSB. The LSB changes depending on DVS and SNS. (*: Don't care.) <table border="1"> <thead> <tr> <th>DVS</th> <th>SNS</th> <th>LSB</th> <th>Divisor setting (N)</th> <th>Actual divisor</th> </tr> </thead> <tbody> <tr> <td>1</td> <td>*</td> <td>P0</td> <td>272 to 65535</td> <td>Twice the value of the setting</td> </tr> <tr> <td>0</td> <td>1</td> <td>P0</td> <td>272 to 65535</td> <td>The value of the setting</td> </tr> <tr> <td>0</td> <td>0</td> <td>P4</td> <td>4 to 4095</td> <td>The value of the setting</td> </tr> </tbody> </table> <p>Note: P0 to P3 are ignored when P4 is the LSB.</p> <ul style="list-style-type: none"> Selects the signal input pin (AMIN or FMIN) for the programmable divider, switches the frequency range. (*: Don't care.) <table border="1"> <thead> <tr> <th>DVS</th> <th>SNS</th> <th>Input pin</th> <th>Input frequency range</th> </tr> </thead> <tbody> <tr> <td>1</td> <td>*</td> <td>FMIN</td> <td>10 to 160 MHz</td> </tr> <tr> <td>0</td> <td>1</td> <td>AMIN</td> <td>2 to 40 MHz</td> </tr> <tr> <td>0</td> <td>0</td> <td>AMIN</td> <td>0.5 to 10 MHz</td> </tr> </tbody> </table> <p>Note: See the "Programmable Divider" item for details.</p> | DVS | SNS | LSB | Divisor setting (N) | Actual divisor | 1 | * | P0 | 272 to 65535 | Twice the value of the setting | 0 | 1 | P0 | 272 to 65535 | The value of the setting | 0 | 0 | P4 | 4 to 4095 | The value of the setting | DVS | SNS | Input pin | Input frequency range | 1 | * | FMIN | 10 to 160 MHz | 0 | 1 | AMIN | 2 to 40 MHz | 0 | 0 | AMIN | 0.5 to 10 MHz | | | | | | | | | | | | | | | | | | | | | | | | | | | | | | | | | | | | | | | | | | | | | | | | | | |
| DVS | SNS | LSB | Divisor setting (N) | Actual divisor | | | | | | | | | | | | | | | | | | | | | | | | | | | | | | | | | | | | | | | | | | | | | | | | | | | | | | | | | | | | | | | | | | | | | | | | | | | | | | | | | | | | |
| 1 | * | P0 | 272 to 65535 | Twice the value of the setting | | | | | | | | | | | | | | | | | | | | | | | | | | | | | | | | | | | | | | | | | | | | | | | | | | | | | | | | | | | | | | | | | | | | | | | | | | | | | | | | | | | | |
| 0 | 1 | P0 | 272 to 65535 | The value of the setting | | | | | | | | | | | | | | | | | | | | | | | | | | | | | | | | | | | | | | | | | | | | | | | | | | | | | | | | | | | | | | | | | | | | | | | | | | | | | | | | | | | | |
| 0 | 0 | P4 | 4 to 4095 | The value of the setting | | | | | | | | | | | | | | | | | | | | | | | | | | | | | | | | | | | | | | | | | | | | | | | | | | | | | | | | | | | | | | | | | | | | | | | | | | | | | | | | | | | | |
| DVS | SNS | Input pin | Input frequency range | | | | | | | | | | | | | | | | | | | | | | | | | | | | | | | | | | | | | | | | | | | | | | | | | | | | | | | | | | | | | | | | | | | | | | | | | | | | | | | | | | | | | |
| 1 | * | FMIN | 10 to 160 MHz | | | | | | | | | | | | | | | | | | | | | | | | | | | | | | | | | | | | | | | | | | | | | | | | | | | | | | | | | | | | | | | | | | | | | | | | | | | | | | | | | | | | | |
| 0 | 1 | AMIN | 2 to 40 MHz | | | | | | | | | | | | | | | | | | | | | | | | | | | | | | | | | | | | | | | | | | | | | | | | | | | | | | | | | | | | | | | | | | | | | | | | | | | | | | | | | | | | | |
| 0 | 0 | AMIN | 0.5 to 10 MHz | | | | | | | | | | | | | | | | | | | | | | | | | | | | | | | | | | | | | | | | | | | | | | | | | | | | | | | | | | | | | | | | | | | | | | | | | | | | | | | | | | | | | |
| (2) | Reference divider data R0 to R3 | <ul style="list-style-type: none"> Reference frequency (fref) selection data <table border="1"> <thead> <tr> <th>R3</th> <th>R2</th> <th>R1</th> <th>R0</th> <th>Reference frequency (kHz)</th> </tr> </thead> <tbody> <tr><td>0</td><td>0</td><td>0</td><td>0</td><td>25</td></tr> <tr><td>0</td><td>0</td><td>0</td><td>1</td><td>25</td></tr> <tr><td>0</td><td>0</td><td>1</td><td>0</td><td>25</td></tr> <tr><td>0</td><td>0</td><td>1</td><td>1</td><td>25</td></tr> <tr><td>0</td><td>1</td><td>0</td><td>0</td><td>12.5</td></tr> <tr><td>0</td><td>1</td><td>0</td><td>1</td><td>6.25</td></tr> <tr><td>0</td><td>1</td><td>1</td><td>0</td><td>3.125</td></tr> <tr><td>0</td><td>1</td><td>1</td><td>1</td><td>3.125</td></tr> <tr><td>1</td><td>0</td><td>0</td><td>0</td><td>5</td></tr> <tr><td>1</td><td>0</td><td>0</td><td>1</td><td>5</td></tr> <tr><td>1</td><td>0</td><td>1</td><td>0</td><td>5</td></tr> <tr><td>1</td><td>0</td><td>1</td><td>1</td><td>1</td></tr> <tr><td>1</td><td>1</td><td>0</td><td>0</td><td>3</td></tr> <tr><td>1</td><td>1</td><td>0</td><td>1</td><td>15</td></tr> <tr><td>1</td><td>1</td><td>1</td><td>0</td><td>PLL INHIBIT + Xtal OSC STOP</td></tr> <tr><td>1</td><td>1</td><td>1</td><td>1</td><td>PLL INHIBIT</td></tr> </tbody> </table> <p>Note: PLL INHIBIT The programmable divider and IF counter blocks are stopped, the FMIN, AMIN, and IFIN pins go to the pulled-down state, and the charge pump output pin goes to the high-impedance state.</p> | R3 | R2 | R1 | R0 | Reference frequency (kHz) | 0 | 0 | 0 | 0 | 25 | 0 | 0 | 0 | 1 | 25 | 0 | 0 | 1 | 0 | 25 | 0 | 0 | 1 | 1 | 25 | 0 | 1 | 0 | 0 | 12.5 | 0 | 1 | 0 | 1 | 6.25 | 0 | 1 | 1 | 0 | 3.125 | 0 | 1 | 1 | 1 | 3.125 | 1 | 0 | 0 | 0 | 5 | 1 | 0 | 0 | 1 | 5 | 1 | 0 | 1 | 0 | 5 | 1 | 0 | 1 | 1 | 1 | 1 | 1 | 0 | 0 | 3 | 1 | 1 | 0 | 1 | 15 | 1 | 1 | 1 | 0 | PLL INHIBIT + Xtal OSC STOP | 1 | 1 | 1 | 1 | PLL INHIBIT | |
| R3 | R2 | R1 | R0 | Reference frequency (kHz) | | | | | | | | | | | | | | | | | | | | | | | | | | | | | | | | | | | | | | | | | | | | | | | | | | | | | | | | | | | | | | | | | | | | | | | | | | | | | | | | | | | | |
| 0 | 0 | 0 | 0 | 25 | | | | | | | | | | | | | | | | | | | | | | | | | | | | | | | | | | | | | | | | | | | | | | | | | | | | | | | | | | | | | | | | | | | | | | | | | | | | | | | | | | | | |
| 0 | 0 | 0 | 1 | 25 | | | | | | | | | | | | | | | | | | | | | | | | | | | | | | | | | | | | | | | | | | | | | | | | | | | | | | | | | | | | | | | | | | | | | | | | | | | | | | | | | | | | |
| 0 | 0 | 1 | 0 | 25 | | | | | | | | | | | | | | | | | | | | | | | | | | | | | | | | | | | | | | | | | | | | | | | | | | | | | | | | | | | | | | | | | | | | | | | | | | | | | | | | | | | | |
| 0 | 0 | 1 | 1 | 25 | | | | | | | | | | | | | | | | | | | | | | | | | | | | | | | | | | | | | | | | | | | | | | | | | | | | | | | | | | | | | | | | | | | | | | | | | | | | | | | | | | | | |
| 0 | 1 | 0 | 0 | 12.5 | | | | | | | | | | | | | | | | | | | | | | | | | | | | | | | | | | | | | | | | | | | | | | | | | | | | | | | | | | | | | | | | | | | | | | | | | | | | | | | | | | | | |
| 0 | 1 | 0 | 1 | 6.25 | | | | | | | | | | | | | | | | | | | | | | | | | | | | | | | | | | | | | | | | | | | | | | | | | | | | | | | | | | | | | | | | | | | | | | | | | | | | | | | | | | | | |
| 0 | 1 | 1 | 0 | 3.125 | | | | | | | | | | | | | | | | | | | | | | | | | | | | | | | | | | | | | | | | | | | | | | | | | | | | | | | | | | | | | | | | | | | | | | | | | | | | | | | | | | | | |
| 0 | 1 | 1 | 1 | 3.125 | | | | | | | | | | | | | | | | | | | | | | | | | | | | | | | | | | | | | | | | | | | | | | | | | | | | | | | | | | | | | | | | | | | | | | | | | | | | | | | | | | | | |
| 1 | 0 | 0 | 0 | 5 | | | | | | | | | | | | | | | | | | | | | | | | | | | | | | | | | | | | | | | | | | | | | | | | | | | | | | | | | | | | | | | | | | | | | | | | | | | | | | | | | | | | |
| 1 | 0 | 0 | 1 | 5 | | | | | | | | | | | | | | | | | | | | | | | | | | | | | | | | | | | | | | | | | | | | | | | | | | | | | | | | | | | | | | | | | | | | | | | | | | | | | | | | | | | | |
| 1 | 0 | 1 | 0 | 5 | | | | | | | | | | | | | | | | | | | | | | | | | | | | | | | | | | | | | | | | | | | | | | | | | | | | | | | | | | | | | | | | | | | | | | | | | | | | | | | | | | | | |
| 1 | 0 | 1 | 1 | 1 | | | | | | | | | | | | | | | | | | | | | | | | | | | | | | | | | | | | | | | | | | | | | | | | | | | | | | | | | | | | | | | | | | | | | | | | | | | | | | | | | | | | |
| 1 | 1 | 0 | 0 | 3 | | | | | | | | | | | | | | | | | | | | | | | | | | | | | | | | | | | | | | | | | | | | | | | | | | | | | | | | | | | | | | | | | | | | | | | | | | | | | | | | | | | | |
| 1 | 1 | 0 | 1 | 15 | | | | | | | | | | | | | | | | | | | | | | | | | | | | | | | | | | | | | | | | | | | | | | | | | | | | | | | | | | | | | | | | | | | | | | | | | | | | | | | | | | | | |
| 1 | 1 | 1 | 0 | PLL INHIBIT + Xtal OSC STOP | | | | | | | | | | | | | | | | | | | | | | | | | | | | | | | | | | | | | | | | | | | | | | | | | | | | | | | | | | | | | | | | | | | | | | | | | | | | | | | | | | | | |
| 1 | 1 | 1 | 1 | PLL INHIBIT | | | | | | | | | | | | | | | | | | | | | | | | | | | | | | | | | | | | | | | | | | | | | | | | | | | | | | | | | | | | | | | | | | | | | | | | | | | | | | | | | | | | |
| (3) | IF counter control data CTE GT0, GT1 | <ul style="list-style-type: none"> IF counter measurement start specification CTE = 1: Counter start CTE = 0: Counter reset IF counter measurement time determination <table border="1"> <thead> <tr> <th>GT1</th> <th>GT0</th> <th>Measurement time (ms)</th> <th>Wait time (ms)</th> </tr> </thead> <tbody> <tr> <td>0</td> <td>0</td> <td>4</td> <td>3 to 4</td> </tr> <tr> <td>0</td> <td>1</td> <td>8</td> <td>3 to 4</td> </tr> <tr> <td>1</td> <td>0</td> <td>16</td> <td>7 to 8</td> </tr> <tr> <td>1</td> <td>1</td> <td>32</td> <td>7 to 8</td> </tr> </tbody> </table> <p>Note: See the "IF Counter Structure" item for details.</p> | GT1 | GT0 | Measurement time (ms) | Wait time (ms) | 0 | 0 | 4 | 3 to 4 | 0 | 1 | 8 | 3 to 4 | 1 | 0 | 16 | 7 to 8 | 1 | 1 | 32 | 7 to 8 | IFS | | | | | | | | | | | | | | | | | | | | | | | | | | | | | | | | | | | | | | | | | | | | | | | | | | | | | | | | | | | | | | | | | |
| GT1 | GT0 | Measurement time (ms) | Wait time (ms) | | | | | | | | | | | | | | | | | | | | | | | | | | | | | | | | | | | | | | | | | | | | | | | | | | | | | | | | | | | | | | | | | | | | | | | | | | | | | | | | | | | | | |
| 0 | 0 | 4 | 3 to 4 | | | | | | | | | | | | | | | | | | | | | | | | | | | | | | | | | | | | | | | | | | | | | | | | | | | | | | | | | | | | | | | | | | | | | | | | | | | | | | | | | | | | | |
| 0 | 1 | 8 | 3 to 4 | | | | | | | | | | | | | | | | | | | | | | | | | | | | | | | | | | | | | | | | | | | | | | | | | | | | | | | | | | | | | | | | | | | | | | | | | | | | | | | | | | | | | |
| 1 | 0 | 16 | 7 to 8 | | | | | | | | | | | | | | | | | | | | | | | | | | | | | | | | | | | | | | | | | | | | | | | | | | | | | | | | | | | | | | | | | | | | | | | | | | | | | | | | | | | | | |
| 1 | 1 | 32 | 7 to 8 | | | | | | | | | | | | | | | | | | | | | | | | | | | | | | | | | | | | | | | | | | | | | | | | | | | | | | | | | | | | | | | | | | | | | | | | | | | | | | | | | | | | | |
| (4) | I/O port specification data IOC1, IOC2 | <ul style="list-style-type: none"> Data that specifies input or output for the I/O dual-use pins ($\overline{IO1}$, $\overline{IO2}$) Data: 0 = input mode, 1 = output mode | | | | | | | | | | | | | | | | | | | | | | | | | | | | | | | | | | | | | | | | | | | | | | | | | | | | | | | | | | | | | | | | | | | | | | | | | | | | | | | | | | | | | | |
| (5) | Output port data BO1 to BO4, IO1, IO2 | <ul style="list-style-type: none"> $\overline{BO1}$ to $\overline{BO4}$, $\overline{IO1}$, and $\overline{IO2}$ output state data Data: 0 = open, 1 = low "Data = 0: Open" is selected following a power-on reset. | IOC1 IOC2 | | | | | | | | | | | | | | | | | | | | | | | | | | | | | | | | | | | | | | | | | | | | | | | | | | | | | | | | | | | | | | | | | | | | | | | | | | | | | | | | | | | | | |

Continued on next page.

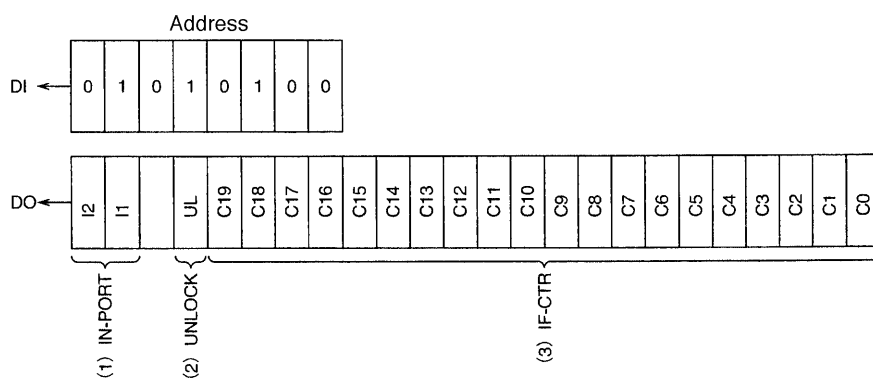
LC72137, 72137M

Continued from preceding page.

| No. | Control block/data | Description | Related data |
|------|----------------------------------|--|--------------|
| (11) | IF counter control data IFS | <ul style="list-style-type: none"> This data should be set to 1 in normal operation. Setting this data to 0 switches the LC72137 to a reduced input sensitivity mode in which the sensitivity is reduced by 10 to 30 mVrms. | |
| (12) | LSI test data TEST 0 to TEST2 | <ul style="list-style-type: none"> IC test data TEST0 TEST1 TEST2 } All three bits must be set to 0. All the test data is set to 0 at a power-on reset. | |
| (13) | DNC | Data is set to 0 | |

DO Output Data (Serial Data Output) Structure

3. OUT mode



A08989

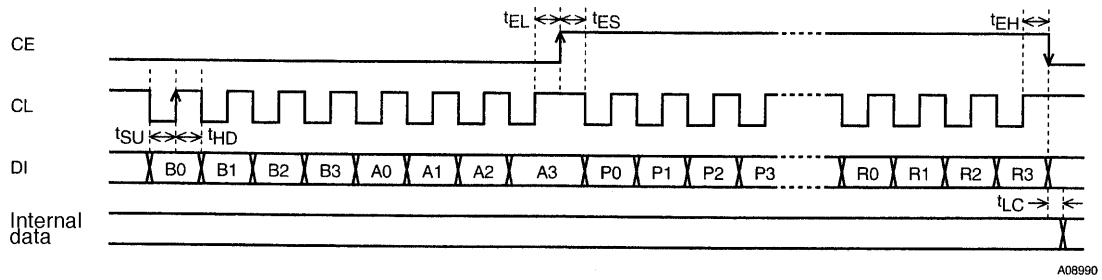
DO Output Data

| No. | Control block/data | Description | Related data |
|-----|-------------------------------------|---|---------------------|
| (1) | I/O port data I2, I1 | <ul style="list-style-type: none"> Data latched from the states of the I/O ports, pins $\overline{IO1}$ and $\overline{IO2}$. This data reflects the pin states, regardless of whether they are in input or output mode. The data is latched when OUT mode is selected. <p> $I1 \leftarrow \overline{IO1}$ pin state } High: 1 $I2 \leftarrow \overline{IO2}$ pin state } Low: 0 </p> | IOC1, IOC2 |
| (2) | PLL unlock data UL | <ul style="list-style-type: none"> Data latched from the state of the unlock detection circuit UL ← 0: Unlocked UL ← 1: Locked or in detection stopped mode | UL0, UL1 |
| (3) | IF counter binary data C19 to C0 | <ul style="list-style-type: none"> Data latched from the state of the IF counter, which is a 20-bit binary counter. C19 ← Binary counter MSB C0 ← Binary counter LSB | CTE, GT0, GT1 |

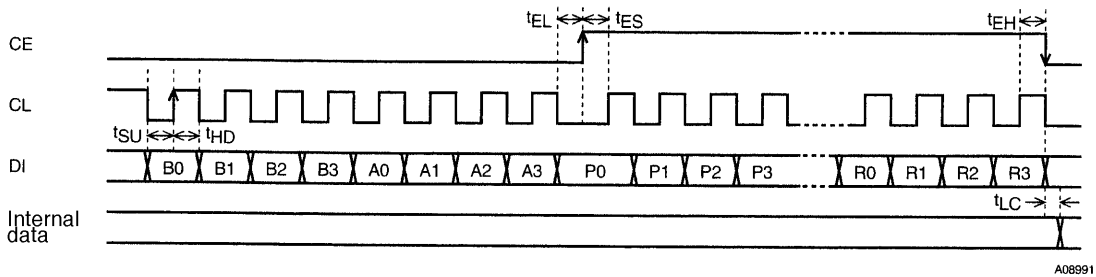
LC72137, 72137M

Serial Data Input (IN1/IN2) $t_{SU}, t_{HD}, t_{EL}, t_{ES}, t_{EH} \geq 0.75 \mu s, t_{LC} < 0.75 \mu s$

1. CL: Normal high

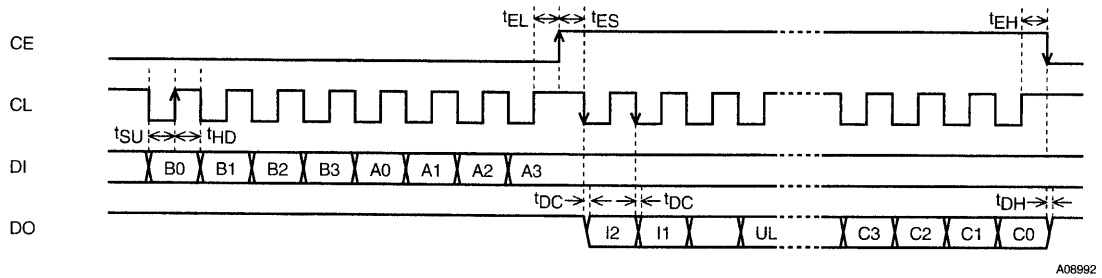


2. CL: Normal low

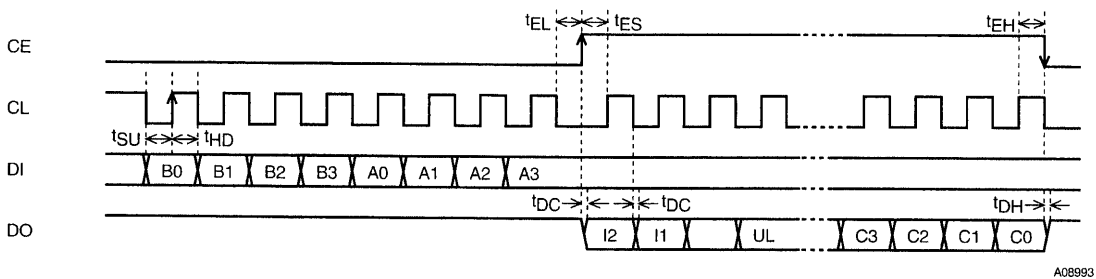


Serial Data Output (OUT) $t_{SU}, t_{HD}, t_{EL}, t_{ES}, t_{EH} \geq 0.75 \mu s, t_{DC}, t_{DH} < 0.35 \mu s$

1. CL: Normal high

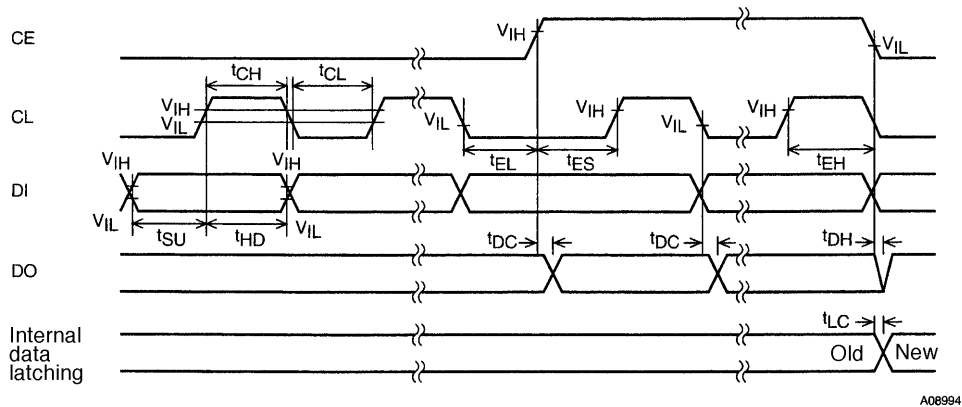


2. CL: Normal low



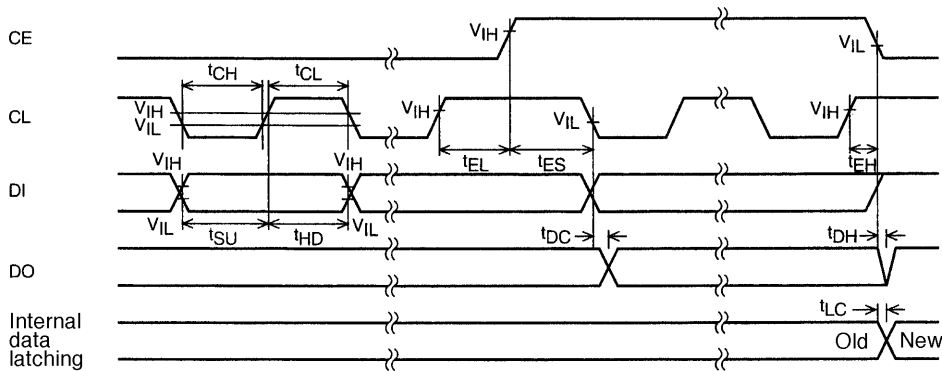
Note: Since the DO pin is an n-channel open drain circuit, the times for the data to change (t_{DC} and t_{DH}) will differ depending on the value of the pull-up resistor, printed circuit board capacitance.

Serial Data Timing



A08994

CL Stopped at the Low Level

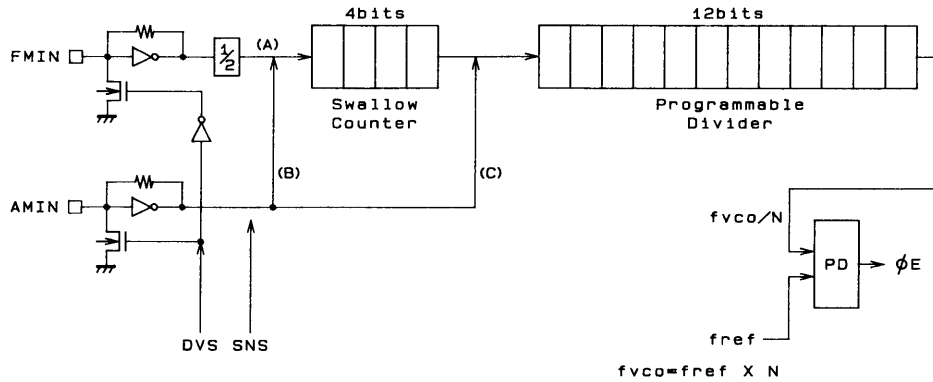


A08995

CL Stopped at the High Level

| Parameter | Symbol | Pins | Conditions | min | typ | max | Unit |
|------------------------|----------|--------|--|------|-----|------|---------|
| Data setup time | t_{SU} | DI, CL | | 0.75 | | | μs |
| Data hold time | t_{HD} | DI, CL | | 0.75 | | | μs |
| Clock low-level time | t_{CL} | CL | | 0.75 | | | μs |
| Clock high-level time | t_{CH} | CL | | 0.75 | | | μs |
| CE wait time | t_{EL} | CE, CL | | 0.75 | | | μs |
| CE setup time | t_{ES} | CE, CL | | 0.75 | | | μs |
| CE hold time | t_{EH} | CE, CL | | 0.75 | | | μs |
| Data latch change time | t_{LC} | | | | | 0.75 | μs |
| Data output time | t_{DC} | DO, CL | These times depend on the pull-up resistance and the printed circuit board capacitances. | | | 0.35 | μs |
| | t_{DH} | DO, CE | | | | 0.35 | μs |

Programmable Divider Structure



A02616

| | DVS | SNS | Input pin | Set divisor | Actual divisor: N | Input frequency range (MHz) |
|---|-----|-----|-----------|--------------|---------------------|-----------------------------|
| A | 1 | * | FMIN | 272 to 65535 | Twice the set value | 10 to 160 |
| B | 0 | 1 | AMIN | 272 to 65535 | The set value | 2 to 40 |
| C | 0 | 0 | AMIN | 4 to 4095 | The set value | 0.5 to 10 |

Note: * Don't care.

Sample Programmable Divider Divisor Calculations

- For a 50 kHz FM step size (DVS = 1, SNS = *: FMIN selected)

- FM RF = 90.0 MHz (IF = +10.7 MHz)
 FM VCO = 100.7 MHz
 PLL fref = 25 kHz (R0 to R1 = 1, R2 to R3 = 0)
 $100.7 \text{ MHz (FM VCO)} \div 25 \text{ kHz (fref)} \div 2 \text{ (FMIN: divide-by-two prescaler)} = 2014 \rightarrow 07DE \text{ (HEX)}$

| | | | | | | | | | | | | | | | | | | | | | | | | | | |
|----|----|----|----|----|----|----|----|----|----|-----|-----|-----|-----|-----|-----|-----|-----|-----|-----|--|--|---|----|----|----|----|
| E | | D | | | | | 7 | | | | | 0 | | | | | | | | | | | | | | |
| 0 | 1 | 1 | 1 | 1 | 0 | 1 | 1 | 1 | 1 | 1 | 0 | 0 | 0 | 0 | 0 | * | 1 | | | | | 1 | 1 | 0 | 0 | |
| P0 | P1 | P2 | P3 | P4 | P5 | P6 | P7 | P8 | P9 | P10 | P11 | P12 | P13 | P14 | P15 | SNS | DVS | CTE | DNC | | | | R0 | R1 | R2 | R3 |

A08997

- For a 5 kHz SW step size (DVS = 0, SNS = 1: AMIN high-speed side selected)

- SW RF = 21.75 MHz (IF = +450 kHz)
 SW VCO = 22.20 MHz
 PLL fref = 5 kHz (R0 = R2 = 0, R1 = R3 = 1)
 $22.2 \text{ MHz (SW VCO)} \div 5 \text{ kHz (fref)} = 4440 \rightarrow 1158 \text{ (HEX)}$

| | | | | | | | | | | | | | | | | | | | | | | | | | | |
|----|----|----|----|----|----|----|----|----|----|-----|-----|-----|-----|-----|-----|-----|-----|-----|-----|--|--|---|----|----|----|----|
| 8 | | | | | | | | 5 | | | | | 1 | | | 1 | | | | | | | | | | |
| 0 | 0 | 0 | 1 | 1 | 0 | 1 | 0 | 1 | 0 | 0 | 0 | 1 | 0 | 0 | 0 | 1 | 0 | | | | | 0 | 1 | 0 | 1 | |
| P0 | P1 | P2 | P3 | P4 | P5 | P6 | P7 | P8 | P9 | P10 | P11 | P12 | P13 | P14 | P15 | SNS | DVS | CTE | DNC | | | | R0 | R1 | R2 | R3 |

A08998

- For a 9 kHz MW step size (DVS = 0, SNS = 0: AMIN low-speed side selected)

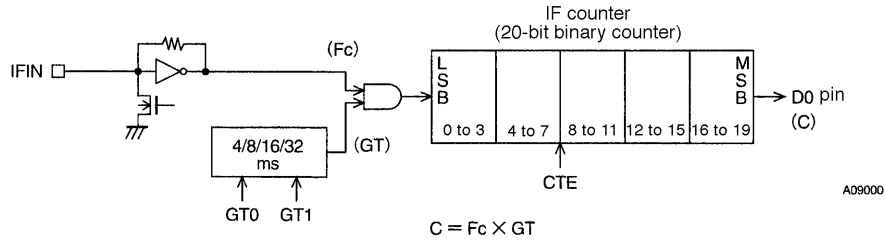
- MW RF = 1008 kHz (IF = +450 kHz)
 MW VCO = 1458 kHz
 PLL fref = 3 kHz (R0 to R1 = 0, R2 to R3 = 1)
 $1458 \text{ kHz (MW VCO)} \div 3 \text{ kHz (fref)} = 486 \rightarrow 1E6 \text{ (HEX)}$

| | | | | | | | | | | | | | | | | | | | | | | | | | | |
|----|----|----|----|----|----|----|----|----|----|-----|-----|-----|-----|-----|-----|-----|-----|-----|-----|--|--|---|----|----|----|----|
| 6 | | | | | | E | | | | | 1 | | | | | | | | | | | | | | | |
| * | * | * | * | 0 | 1 | 1 | 0 | 0 | 1 | 1 | 1 | 1 | 0 | 0 | 0 | 0 | 0 | | | | | 0 | 0 | 1 | 1 | |
| P0 | P1 | P2 | P3 | P4 | P5 | P6 | P7 | P8 | P9 | P10 | P11 | P12 | P13 | P14 | P15 | SNS | DVS | CTE | DNC | | | | R0 | R1 | R2 | R3 |

A08999

IF Counter Structure

The LC72137 IF counter is a 20-bit binary counter, and takes the IF signal from the IFIN pin as its input. The result of the count can be read out serially, MSB first, from the DO pin.



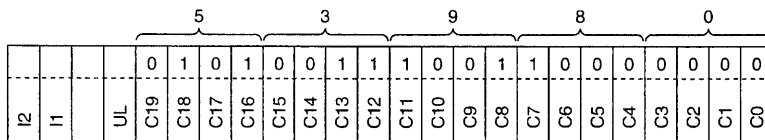
| GT1 | GT0 | Measurement time | |
|-----|-----|------------------------------|-----------------------------------|
| | | Measurement period (GT) (ms) | Wait time (t _{WU}) (ms) |
| 0 | 0 | 4 | 3 to 4 |
| 0 | 1 | 8 | 3 to 4 |
| 1 | 0 | 16 | 7 to 8 |
| 1 | 1 | 32 | 7 to 8 |

The IF frequency (Fc) is measured by determining how many pulses were input to the IF counter in the stipulated measurement time, GT.

$$F_c = \frac{C}{GT} \quad (C = F_c \times GT) \quad C: \text{count value (number of pulses)}$$

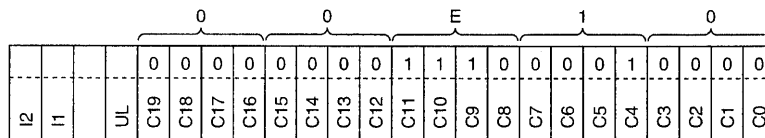
Sample IF Counter Frequency Calculations

- For a measurement time (GT) of 32 ms and a count value (C) of 53980 (hexadecimal), which is 342,400 (decimal) IF frequency (Fc) = 342,400 ÷ 32 ms = 10.7 MHz



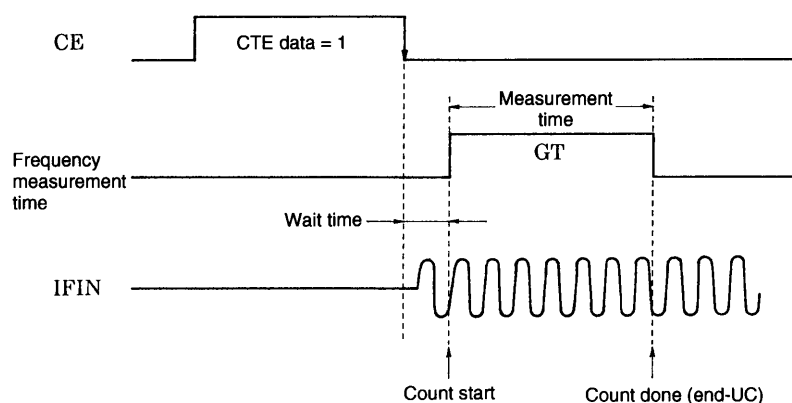
A09001

- For a measurement time (GT) of 8 ms and a count value (C) of E10 (hexadecimal), which is 3600 (decimal) IF frequency (Fc) = 3600 ÷ 8 ms = 450 kHz



A09002

IF Counter Operation



A02623

Before starting the IF count, the IF counter must be reset in advance by setting CTE in the serial data to 0. The IF count is started by changing the CTE bit in the serial data from 0 to 1. The serial data is latched by the LC72137 when the CE pin is dropped from high to low. The IF signal must be supplied to the IFIN pin in the period between the point the CE pin goes low and the end of the wait time at the latest. Next, the value of the IF count at the end of the measurement period must be read out during the period CTE is 1. This is because the IF counter is reset when CTE is set to 0.

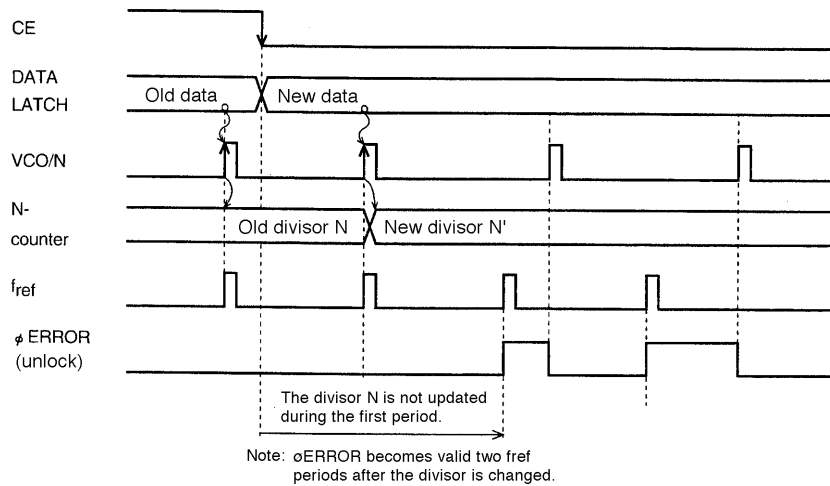
Note: When operating the IF counter, the control microcontroller must first check the state of the IF-IC SD (station detect) signal and only after determining that the SD signal is present turn on IF buffer output and execute an IF count operation. Auto-search techniques that use only the IF counter are not recommended, since it is possible for IF buffer leakage output to cause incorrect stops at points where there is no station.

If the auto-search technique is implemented using only the IF counter in combination with an IF-IC without SD output, sensitivity-degradation mode (IFS = 0) should be selected.

Unlock Detection Timing

1. Unlock Detection Determination Timing

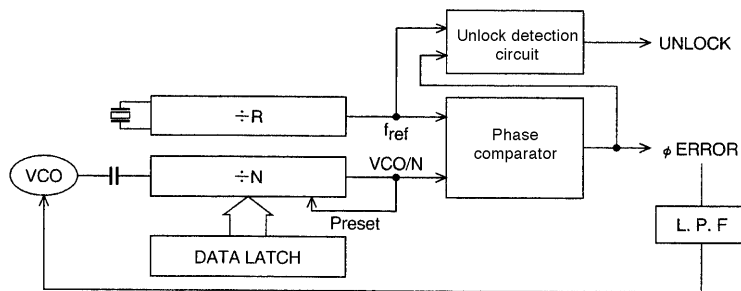
Unlock detection is performed in the reference frequency (f_{ref}) period (interval). Therefore, in principle, unlock determination requires a time longer than the period of the reference frequency. However, immediately after changing the divisor N (frequency) unlock detection must be performed after waiting at least two periods of the reference frequency.



A09004

Figure 1 Unlock Detection Timing

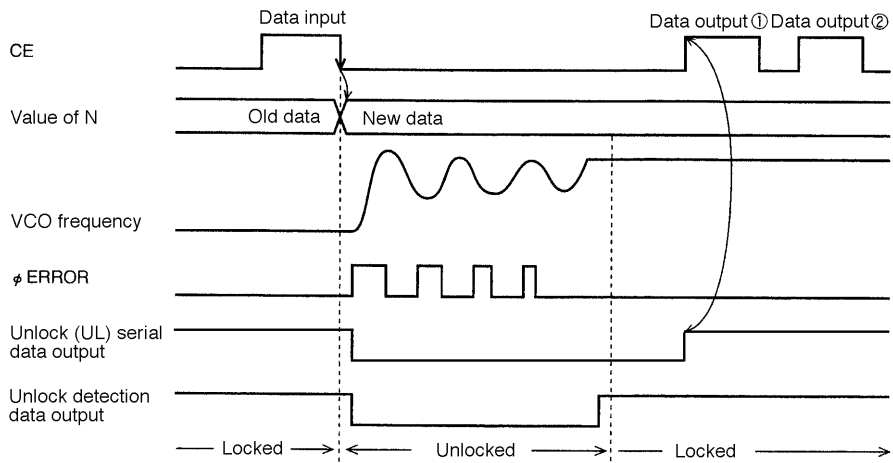
For example, if f_{ref} is 1 kHz (and thus the period is 1 ms), after changing the divisor N, the system must wait at least 2 ms before checking for the unlocked state.



A09005

Figure 2 Circuit Structure

2. Unlock Detection Software

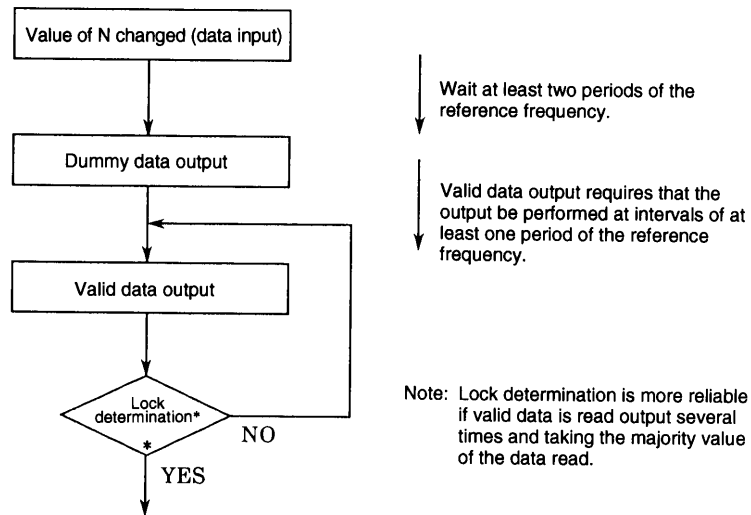


A09006

Figure 3

3. When Outputting Unlock Data Using Serial Data Output:

Once the LC72137 detects an unlocked state, it does not reset the unlock data (UL) until the next data output (or data input) operation is performed. At the data output ① point in Figure 3, although the VCO frequency is stable (locked), the unlock data remains set to the unlocked state since no data output has been performed since the value of N was changed. Thus, even though the frequency became stable (locked), from the point of view of the data, the circuit is in the unlocked state. Therefore, the data output ① immediately following a change to the value of N should be seen as a dummy data, and the data from the second data output (data output ②) and later outputs should be seen as valid data.



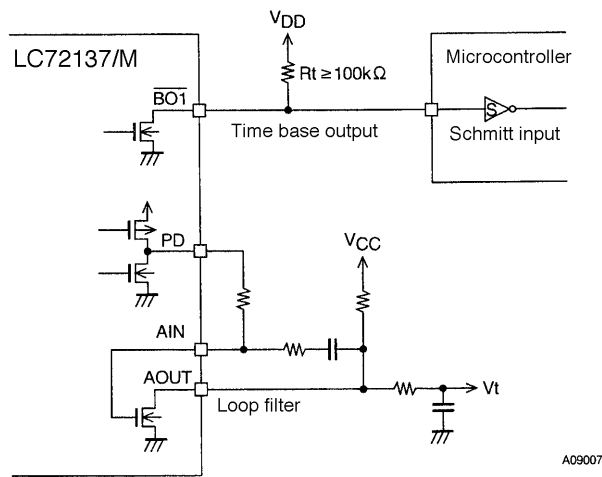
Lock Determination Flowchart

When directly outputting data from the DO pin (set up by the DO pin control data)

Since the DO pin outputs the unlocked state (locked: high, unlocked: low) the timing considerations in the technique described in the previous section are not necessary. After changing the value of N, the locked state can be determined after waiting at least two periods of the reference frequency.

Notes on Clock Time Base Usage

When the clock time base output is used, the value of the pull-up resistor for the output pin ($\overline{BO1}$) must be at least 100 k Ω . We recommend the use of a Schmitt input on the receiving controller (microprocessor) to prevent chattering. This is to avoid degradation of the VCO C/N characteristics when using the built-in low-pass filter transistor to form the loop filter. Since the clock time base output pin and the low-pass filter transistor ground are the same mode in the IC, the time base output pin current fluctuations must be suppressed to limit the influence on the low-pass filter.



Other Items

1. Notes on the Phase Comparator Dead Zone

| DZ1 | DZ0 | Dead-zone mode | Charge pump | Dead zone |
|-----|-----|----------------|-------------|-----------|
| 0 | 0 | DZA | ON/ON | - -0 s |
| 0 | 1 | DZB | ON/ON | -0 s |
| 1 | 0 | DZC | OFF/OFF | +0 s |
| 1 | 1 | DZD | OFF/OFF | + +0 s |

Since correction pulses are output from the charge pump even if the PLL is locked when the charge pump is in the ON/ON state, the loop can easily become unstable. This point requires special care when designing application circuits.

The following problems may occur in the ON/ON state.

- Side band generation due to reference frequency leakage
- Side band generation due to both the correction pulse envelope and low frequency leakage

Schemes in which a dead zone is present (OFF/OFF) have good loop stability, but have the problem that acquiring a high C/N ratio can be difficult. On the other hand, although it is easy to acquire a high C/N ratio with schemes in which there is no dead zone, it is difficult to achieve high loop stability. Therefore, it can be effective to select DZA or DZB, which have no dead zone, in applications which require an FM S/N ratio in excess of 90 to 100 dB, or in which an increased AM stereo pilot margin is desired. On the other hand, we recommend selecting DZC or DZD, which provide a dead zone, for applications which do not require such a high FM signal-to-noise ratio and in which either AM stereo is not used or an adequate AM stereo pilot margin can be achieved.

Dead Zone

The phase comparator compares f_p to a reference frequency (f_r) as shown in Figure 4. Although the characteristics of this circuit (see Figure 5) are such that the output voltage is proportional to the phase difference ϕ (line A), a region (the dead zone) in which it is not possible to compare small phase differences occurs in actual ICs due to internal circuit delays and other factors (line B). A dead zone as small as possible is desirable for products that must provide a high S/N ratio.

However, since a larger dead zone makes this circuit easier to use, a larger dead zone is appropriate for popularly-priced products. This is because it is possible for RF signals to leak from the mixer to the VCO and modulate the VCO in popularly-priced products in the presence of strong RF inputs. When the dead zone is narrow, the circuit outputs correction pulses and this output can further modulate the VCO and generate beat frequencies with the RF signal.

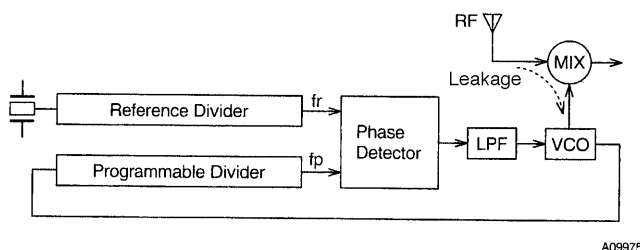


Figure 4

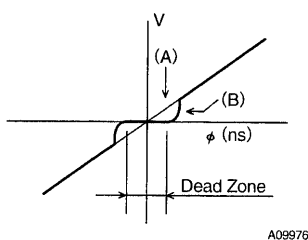


Figure 5

2. Notes on the FMIN, AMIN, and IFIN Pins

Coupling capacitors must be placed as close as possible to their respective pin. A capacitance of about 100 pF is desirable. In particular, if a capacitance of 1000 pF or over is used for the IF pin, the time to reach the bias level will increase and incorrect counting may occur due to the relationship with the wait time.

3. Notes on IF Counting → SD must be used in conjunction with the IF counting time

When using IF counting, always implement IF counting by having the microprocessor determine the presence of the IF-IC SD (station detect) signal and turn on the IF counter buffer only if the SD signal is present. Schemes in which auto-searches are performed with only IF counting are not recommended, since they can stop at points where there is no signal due to leakage output from the IF counter buffer.

LC72137, 72137M

4. DO Pin Usage Techniques

In addition to data output mode times, the DO pin can also be used to check for IF counter count completion and for unlock detection output. Also, an input pin state can be output unchanged through the DO pin and input to the controller.

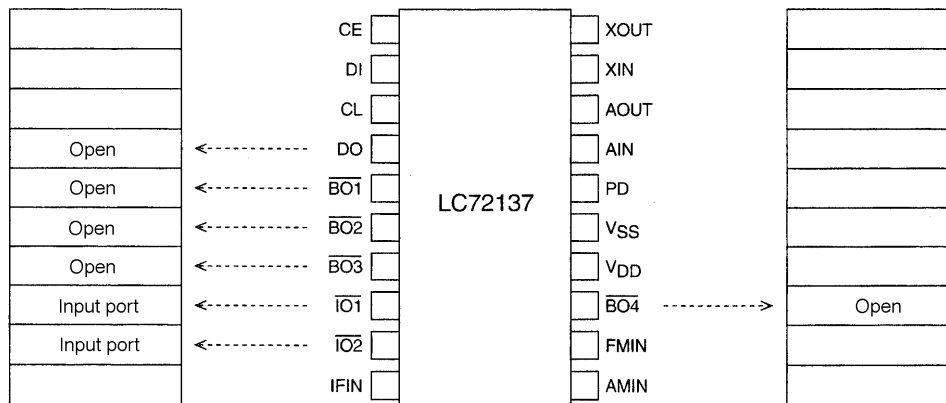
5. Power Supply Pins

A capacitor of at least 2000 pF must be inserted between the power supply V_{DD} and V_{SS} pins for noise exclusion. This capacitor must be placed as close as possible to the V_{DD} and V_{SS} pins.

6. Note on VCO designing

VCO (local oscillator) must keep its oscillation even if the control voltage (V_{tune}) goes to 0V. When there is a possibility of oscillation halt, V_{tune} must be forcibly set to V_{CC} temporarily to prevent the PLL from being deadlocked. (Deadlock clear circuit)

Pin States at a Power-On Reset

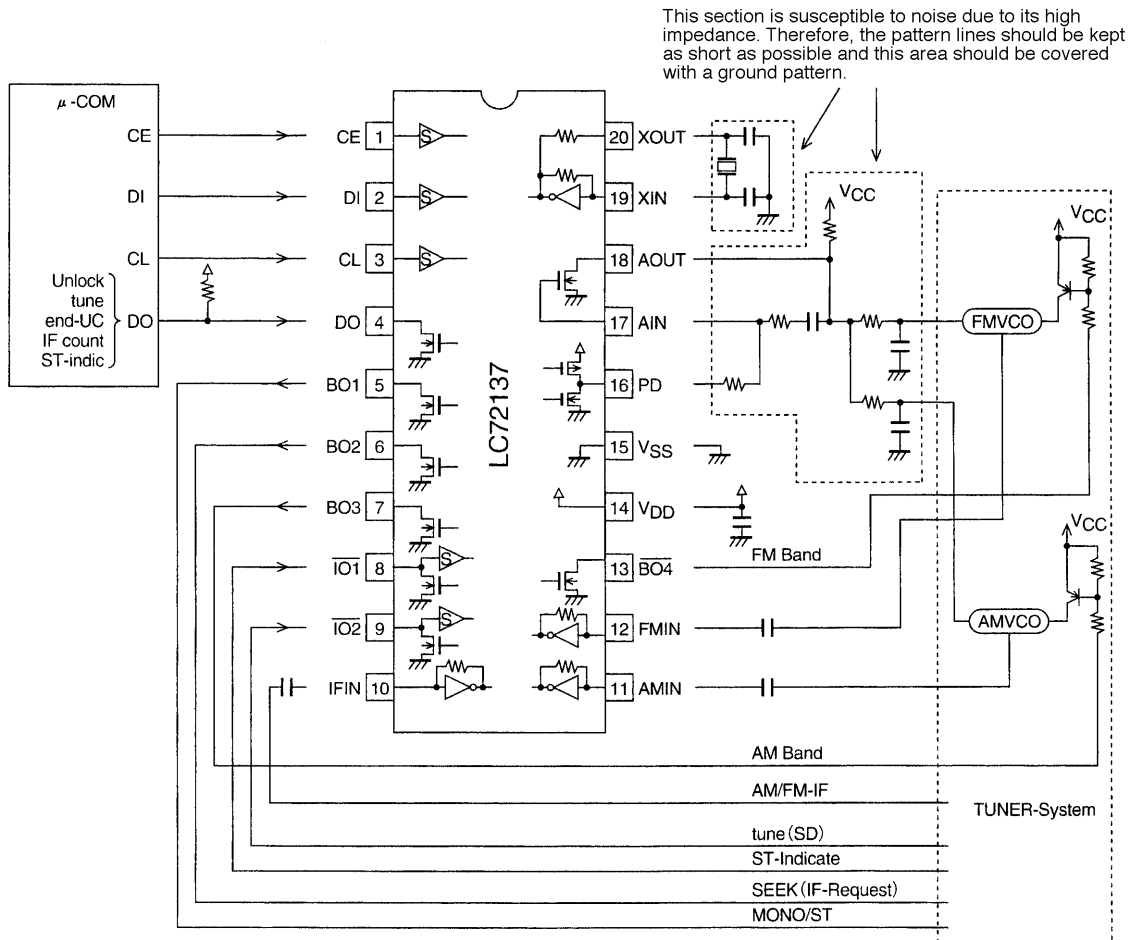


A09008

LC72137, 72137M

Sample Application System

(Using the MFP20 package)



A09009

- No products described or contained herein are intended for use in surgical implants, life-support systems, aerospace equipment, nuclear power control systems, vehicles, disaster/crime-prevention equipment and the like, the failure of which may directly or indirectly cause injury, death or property loss.
- Anyone purchasing any products described or contained herein for an above-mentioned use shall:
 - ① Accept full responsibility and indemnify and defend SANYO ELECTRIC CO., LTD., its affiliates, subsidiaries and distributors and all their officers and employees, jointly and severally, against any and all claims and litigation and all damages, cost and expenses associated with such use:
 - ② Not impose any responsibility for any fault or negligence which may be cited in any such claim or litigation on SANYO ELECTRIC CO., LTD., its affiliates, subsidiaries and distributors or any of their officers and employees jointly or severally.
- Information (including circuit diagrams and circuit parameters) herein is for example only; it is not guaranteed for volume production. SANYO believes information herein is accurate and reliable, but no guarantees are made or implied regarding its use or any infringements of intellectual property rights or other rights of third parties.

This catalog provides information as of July, 1998. Specifications and information herein are subject to change without notice.