

# 100K LCR/ESR Meter Smart Tweezer LCR-ST2



1pF-22mF



$\leq 0.7V$



1 $\mu$ H-10H



10m $\Omega$ -10M $\Omega$



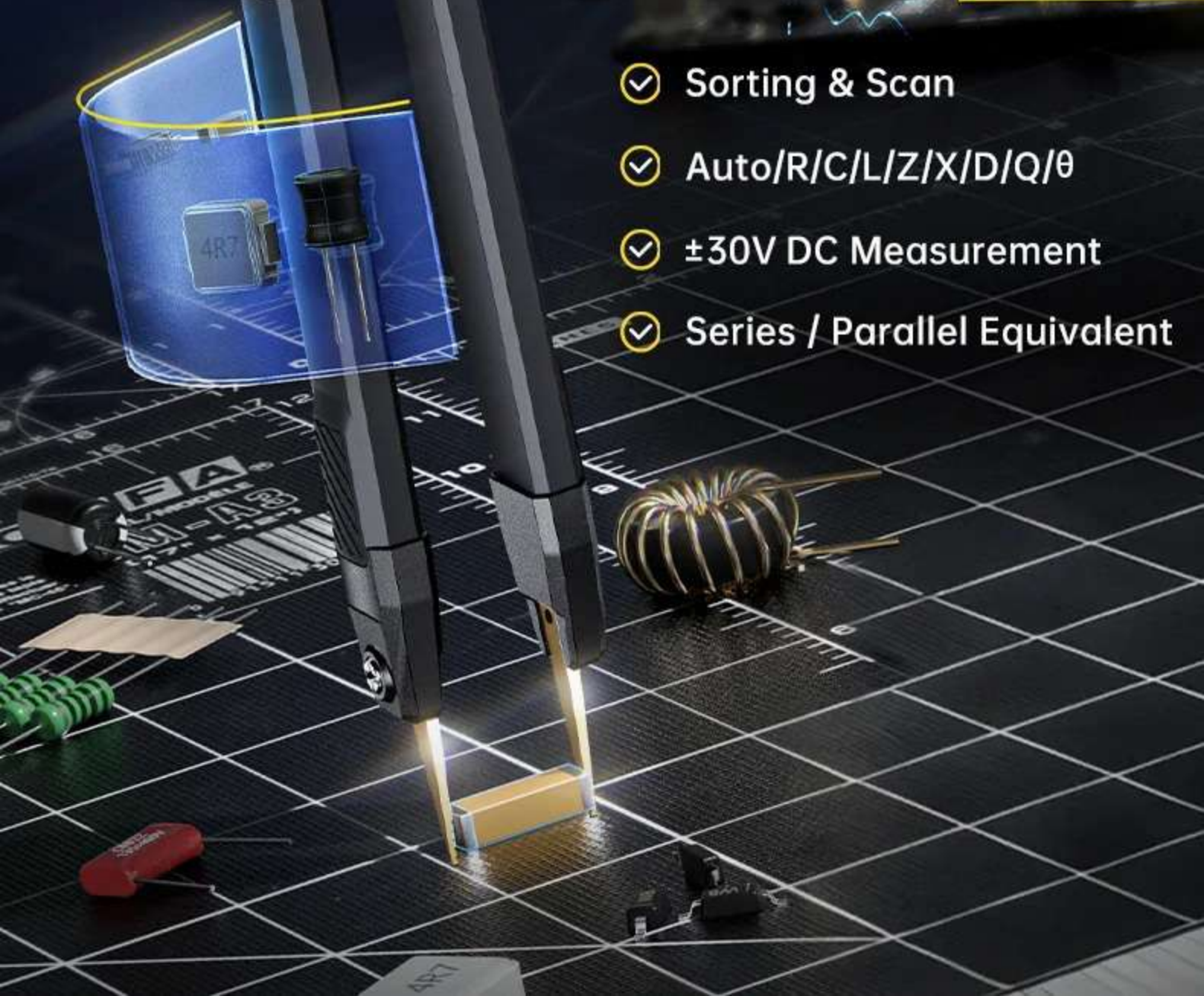
$\pm 30V$



Continuity



- ✔ Sorting & Scan
- ✔ Auto/R/C/L/Z/X/D/Q/ $\theta$
- ✔  $\pm 30V$  DC Measurement
- ✔ Series / Parallel Equivalent





**Kelvin Clip**  
For plug-in components



**Straight & Curved Tip**  
For SMD components

# Core Advantages



Automatic  
Recognition



Hand-Sensing  
Auto-Rotate



Level/Freq  
Adjustment



Data Hold



Dual-Param  
Display



Series/Parallel  
Equivalent



±30V  
Measurement



Auto  
Shutdown



Sweep  
Mode



Intelligent  
Sorting



Calibration  
Function



1.47'' HD  
Display

# One Tool, Dual Forms

Compatible with Diverse Components



Capacitance



Resistance



Inductance

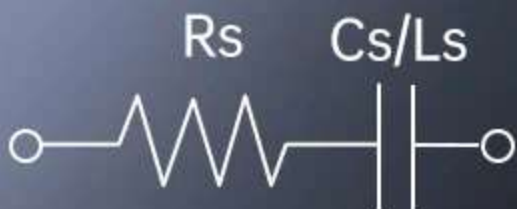
# Intelligent Sorting & Comparison

Identify abnormal components with preset values and tolerances – one-click sorting for maximum efficiency



# Series-Parallel Equivalent Model

Eliminate Parasitic Interference,  
Deliver True R/L/C Data



## Series Model

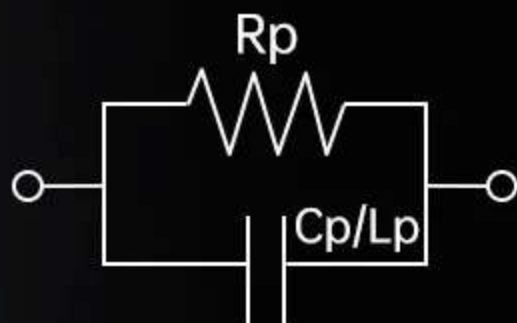
Low Q Value ( $Q < 10$ )

Low impedance/high frequency/  
large capacity/small resistance/ESR testing

## Parallel Model

High Q Value ( $Q > 10$ )

High impedance/low frequency/  
small capacity/large resistance/insulation testing

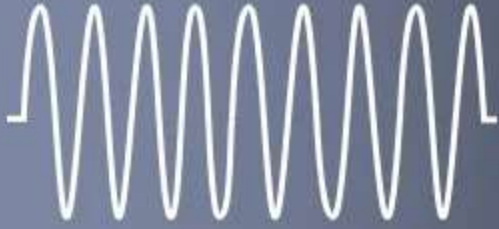


# Full Coverage Frequency Testing

Supports 100Hz, 120Hz, 1kHz,  
10kHz, and 100kHz test frequencies



# Five-Frequency Testing



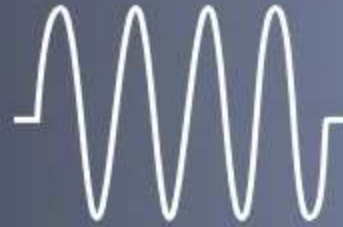
100kHz

## 100KHz

High-frequency components, RF inductors, RF capacitors, resonant circuits

## 10KHz

Small-capacitance ceramic capacitors, high-frequency inductors, RF components



10KHz



1KHz

## 1KHz

Industry standard test frequency, general-purpose film capacitors, ceramic capacitors, power inductors, etc.

## 100/120Hz

Large-capacitance electrolytic capacitors, power-frequency components, motor windings



100Hz



120Hz

# Four RMS Test Level

Multi-range voltage levels enable precise and versatile measurements



## 0.1V Safe Testing

Applicable to low-impedance, easily saturated devices.

## 0.3V / 0.6V General Use

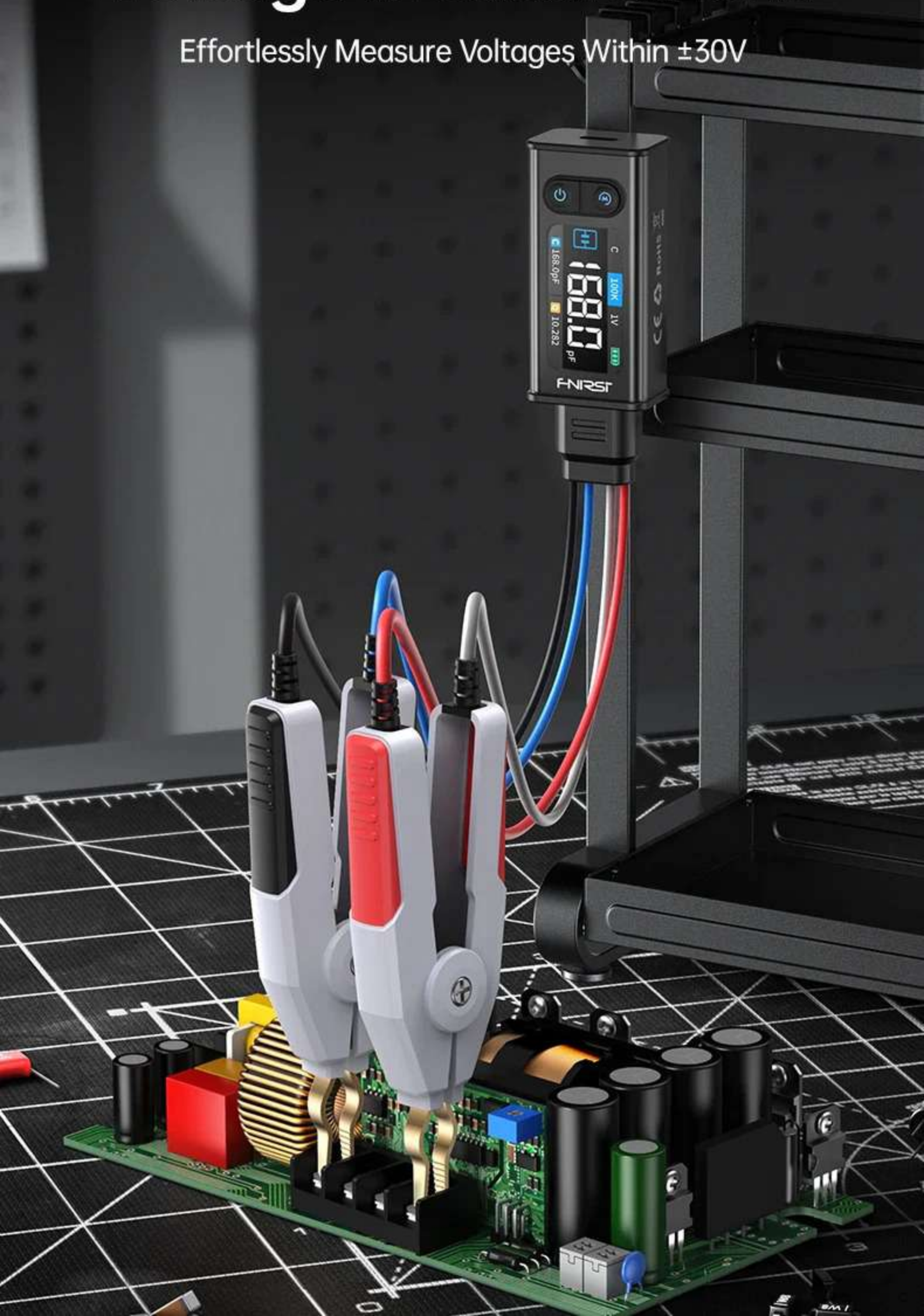
Meets the efficient testing needs of most common devices.

## 1.0V High-Level Excitation

Enables more accurate & stable measurements

# Voltage Measurement

Effortlessly Measure Voltages Within  $\pm 30V$



# Effortless & Instant Switch

Just pull out, plug in—done in a flash!



# Smart Auto-Rotate Screen

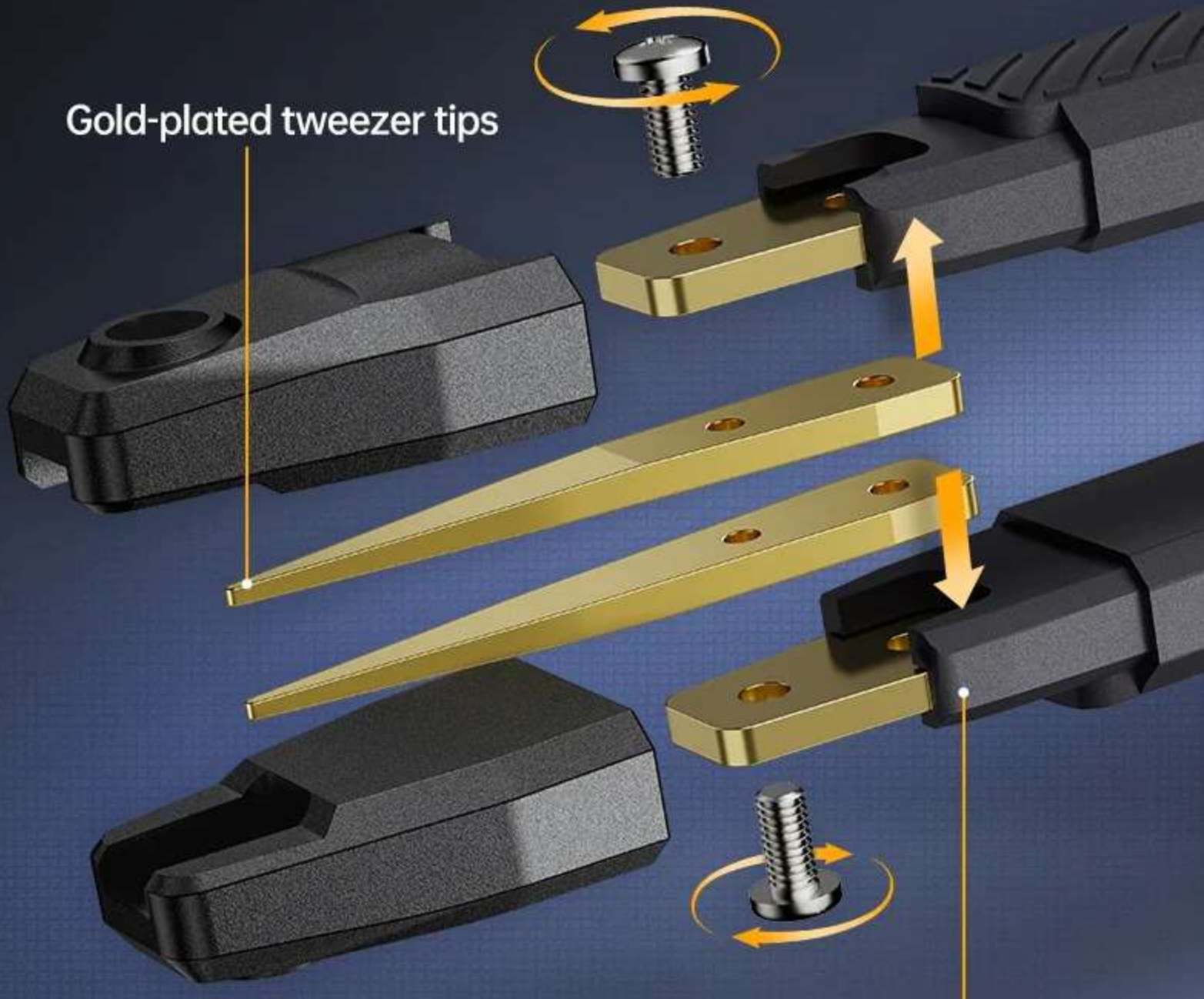
Seamlessly Adapts to Left- or Right-Handed Use  
for Effortless Operation



# Dual-Mode Tweezers

Straight for Precision, Curved for Reach

Gold-plated tweezer tips



Ergonomic measuring arm

Straight  
Tip



Curved  
Tip



# Precision in Every Detail

## High-Strength Magnetic

Anti-Loss & Space-Saving



## Auto Shutdown

OFF / 5/15/30min Shutdown



## Gold-Plated Tweezer Head

High Resistance & Stability

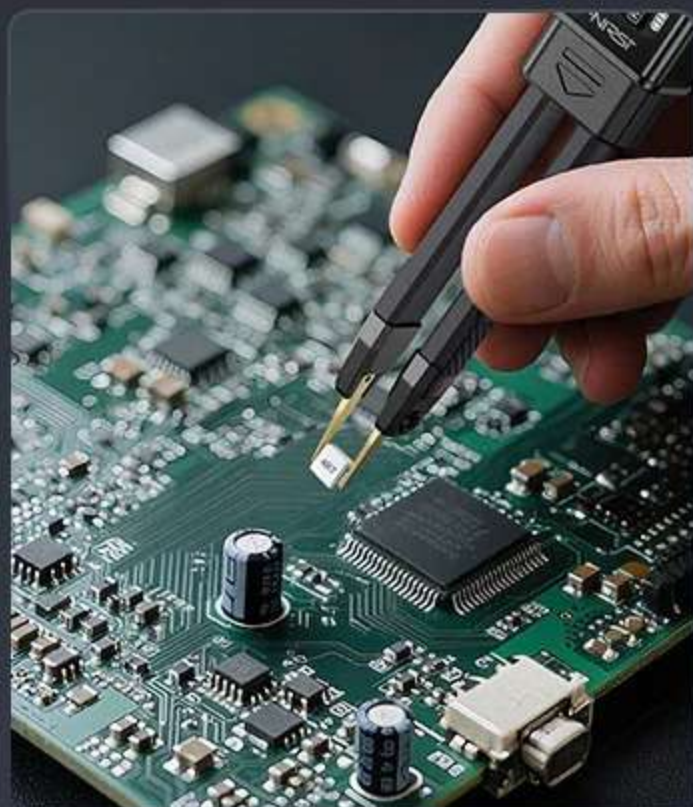


## Type-C Charge

300 mAh Lithium Battery



# Widely Applications



Circuit Board Repair



Electronics R&D



Electronic DIY



Production Testing

# Product Parameters

<b>Model</b>	LCR-ST2
<b>Standby Time</b>	≈3H
<b>Screen Display</b>	1.47" HD Display
<b>Dimensions</b>	31*170.7*20.3mm
<b>Weight</b>	≈60.8g
<b>Interface</b>	Type-C
<b>Operating Temperature</b>	0°C ~ 50°C (Humidity ≤75%)
<b>Storage Temperature</b>	-20°C ~ 60°C (Humidity ≤75%)

## Capacitance

Range	100Hz/120Hz	1KHz	10KHz	100KHz
1mF-22mF	5%±3	5%±3	/	/
1μF-1mF	2%±3	2%±3	2%±3	5%±3
1nF-1μF	2%±3	0.5%±3	0.5%±3	5%±3
1pF-1nF	/	2%±3	2%±3	5%±3

## Inductance

Range	100Hz/120Hz	1KHz	10KHz	100KHz
1H-10H	5%±3	5%±3	/	/
1mH-1H	2%±3	2%±3	/	/
10μH-1mH	2%±3	0.5%±3	0.5%±3	5%±3
1μH-10μH	/	2%±3	2%±3	5%±3

## Resistance

Range	100Hz/120Hz	1KHz	10KHz	100KHz
1MΩ-10MΩ	5% ±3	5%±3	/	/
1kΩ-1MΩ	1%±3	0.5%±3	1%±3	/
1Ω-1kΩ	1%±3	0.5%±3	1%±3	5%±3
10mΩ-1Ω	2%±3	2%±3	2%±3	5%±3

## Diode & Voltage

Range	100Hz/120Hz	1KHz	10KHz	100KHz
On-state voltage ≤0.7V	/			
±30V	/			

# Accessories List



1. LCR-ST2 Tweezer

2. Storage Bag

3. Curved tip

4. Shorting Plate

5. Kelvin Test Clip

6. Data Cable