

OZ531

FEATURES

- Current mode PWM Controller
- Built-in high voltage (500V) start-up circuit
- Low standby power meets Energy Star specification
- Current mode control with frequency foldback under light-load condition
- Built-in synchronized slope compensation
- Drive current up to 500mA
- Leading-edge blanking at current sense
- Protections:
 - Under-voltage lockout protection
 - Clamped gate output voltage at 18V
 - VDD over-voltage protection
 - Cycle-by-cycle current limiting
 - Output over-current and short circuit protection
 - Thermal protection

GENERAL DESCRIPTION

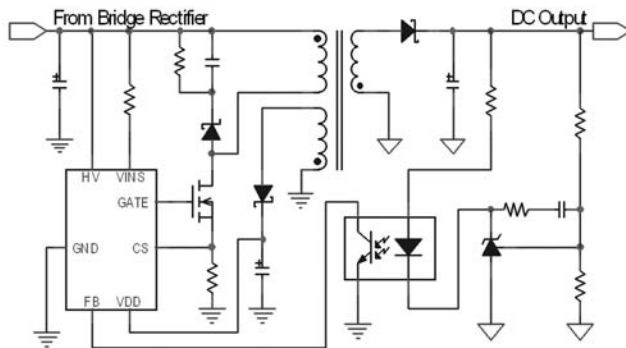
The OZ531 is a highly integrated current mode Pulse Width Modulation (PWM) controller that is ideal for offline AC/DC flyback converter applications.

The controller operates at fixed frequency of 100kHz. With a built-in high voltage start-up circuit, OZ531 eliminates the power loss caused by start-up resistors. The Driver outputs a soft-drive signal which reduces electromagnetic interference in the converter system.

APPLICATIONS

- AC/DC Power Adapter

APPLICATION DIAGRAM



Company Background

Founded in April 1995, O₂Micro[®] International Limited (NASDAQ[®]: OIIM) designs, develops and markets innovative **power management** and **e-commerce** components for the Computer, Consumer, Industrial/Automotive, and Communications markets.

O₂Micro maintains an extensive portfolio of intellectual property, and has numerous trademark Applications and Copyright Registrations.

The company's extensive list of customers includes most of the world's leading electronics manufacturers of Computer, Consumer, Industrial and Communication products.

For additional information, including sales office locations, please visit the O₂Micro web site at www.o2micro.com.