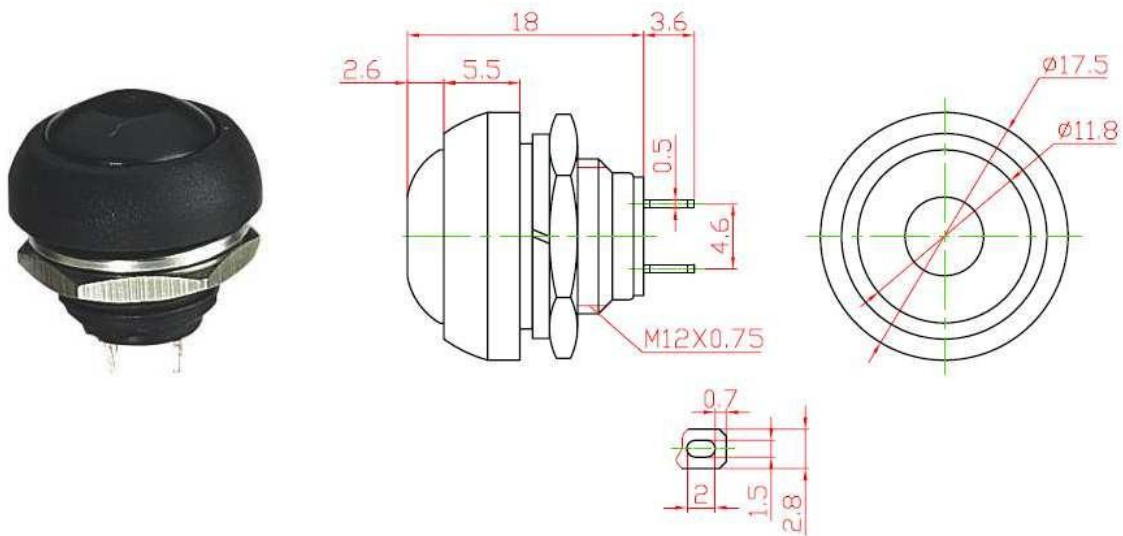


## Push-Button Switch

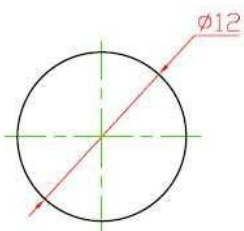
### Specification

1. Rating: 3A 125V AC: 1A 250V AC
2. Contact R:  $20\text{m}\Omega$  max
3. Insulation R: 500V DC  $100\text{M}\Omega$  min
4. Dielectric Strength: 1 Minute 1000V AC
5. Operating Temperature:  $-25^{\circ}\text{C} - +85^{\circ}\text{C}$
6. Electrical Life: 50,000 Cycles

### Outline Drawing



### Mounting



### Circuitry

