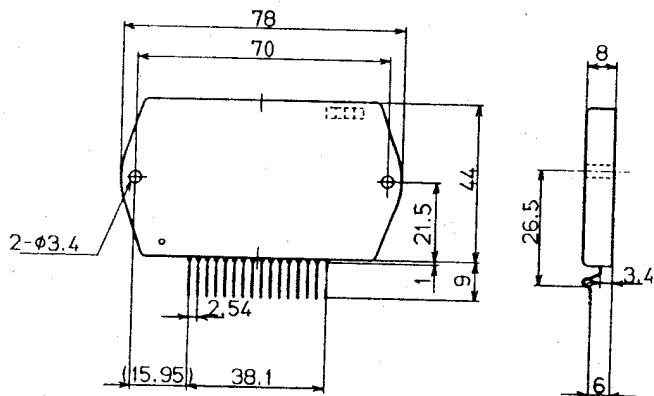
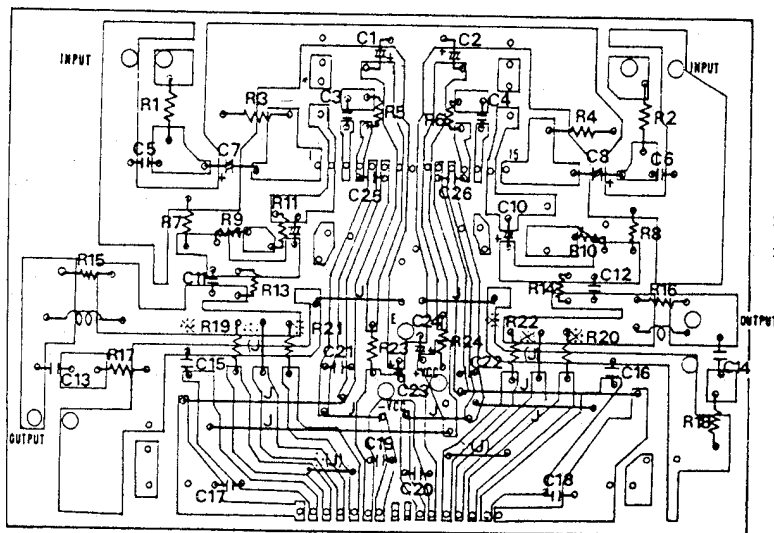


■ PACKAGE DIMENSION



■ BACK VIEW



- R1,R2 220 Ω
  - R3,R4 33K Ω
  - R5,R6 470 Ω
  - R7,R8 3.3KΩ
  - R9,R10 20KB
  - R11,R12 22K Ω
  - R13,R14 68K Ω
  - R15,R16 4.7 Ω
  - R17,R18 4.7 Ω(2W)
  - \* R19,R20 0.22Ω
  - \* R21,R22 0.22Ω
  - R23,R24 100 Ω(2W)
  - C1,C2 47 μ
  - C3,C4 68P
  - C5,C6 330P
  - C7,C8 1 μ
  - C9,C10 1 μ
  - C11,C12 7P
  - C13,C14 0.47 μ(mylar)
  - C15,C16 1 μ(with both channels driven)
  - C17,C18 150P
  - C19,C20 150P
  - C21,C22 0.47 μ(mylar)
  - C23,C24 4.7 μ
  - C25,C26 15P
- Coil: 3 μH

	* R19,R20 R21,R22	*(J)
STK2230	without	with
STK2240		
STK2030	with	without
STK2040		