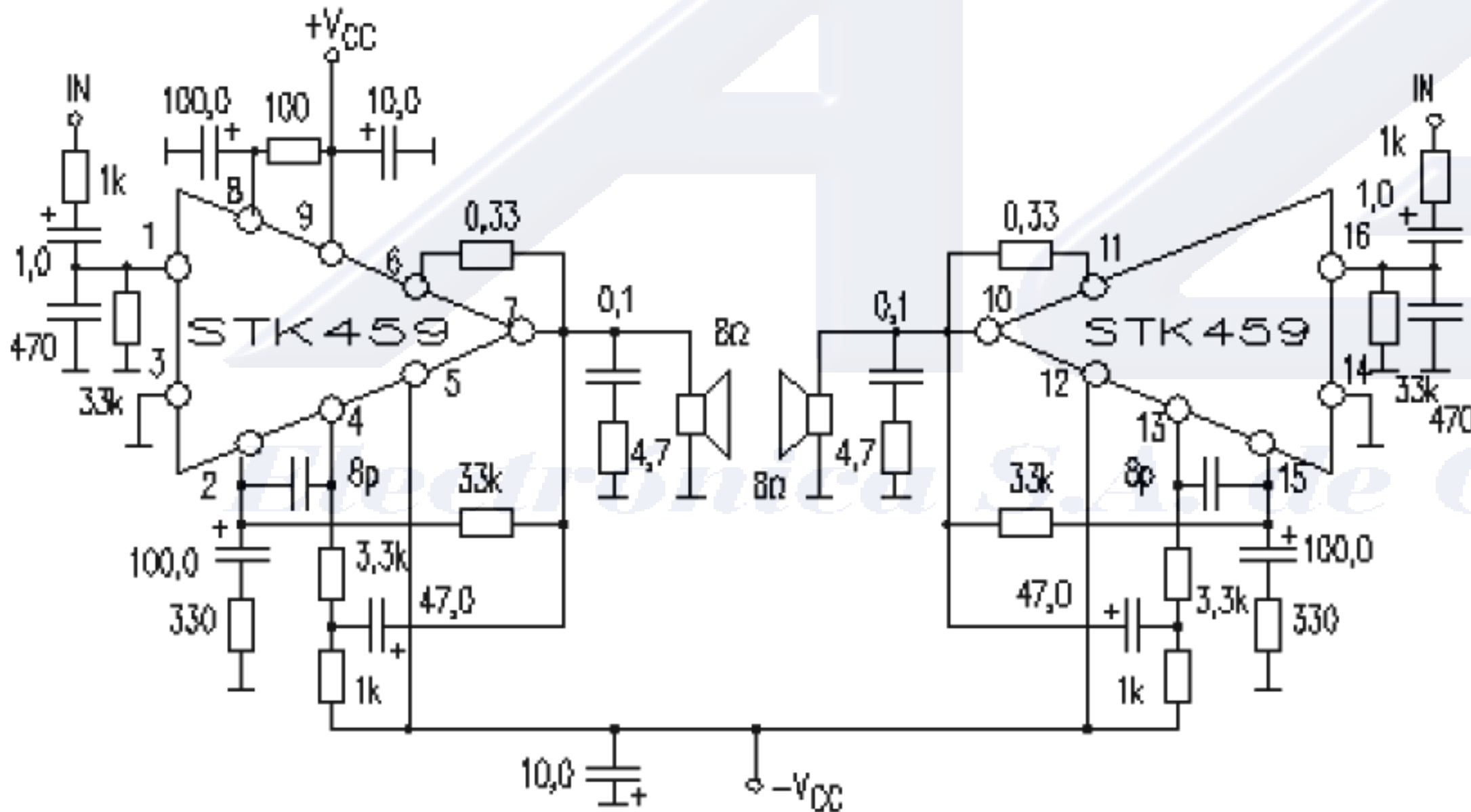


STK459

POWER AMPLIFIER 2X15W



VCC MAX = ± 31V
 VCC TYP = ± 21V ± 19V
 VCC RNG = -

Po = 2x15W 2x20W
 RL = 8 Ohm 4 Ohm
 TDH = 0,08% 0,2%

ICCD TYP = 40mA
 ICCD MAX = 120mA
 I MAX = -

RIN = 32k
 Gain = 40dB
 Noise = 1,2mV

RTHJ-C = -
 Case H15