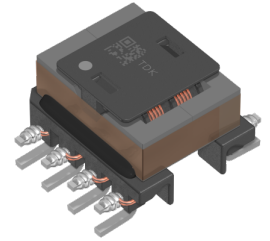


VGT12EEM-200S1A4



<b>Applications</b>	Automotive
<b>Functions</b>	Flyback transformer (Distributed)
<b>Series</b>	VGT
<b>Status</b>	Production
<b>Brand</b>	TDK



**Size**

Length(L)	13.60mm ±0.30mm
Width(W)	14.80mm ±0.50mm
Thickness(T)	10.00mm Max.

**Electrical Characteristics**

Turns Ratio	1:1.6:2.9
Number of Output	1
Inductance	10μH ±20%
Leakage Inductance [Max.]	200nH
Withstanding Voltage [Pri-Sec]	2.6kVrms 1min. or 3.2kVrms 1sec.
Withstanding Voltage [Coil-Core]	1.3kVrms 1min. or 1.6kVrms 1sec.

**Other**

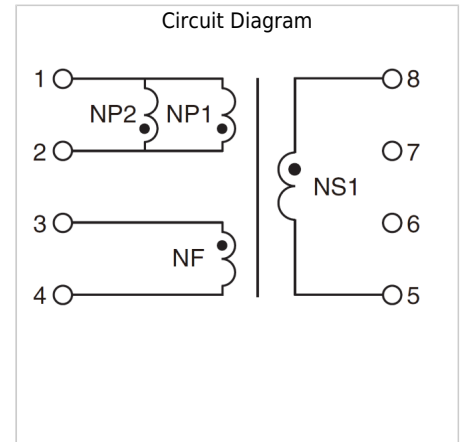
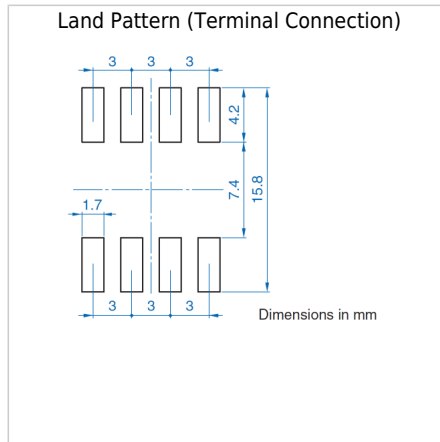
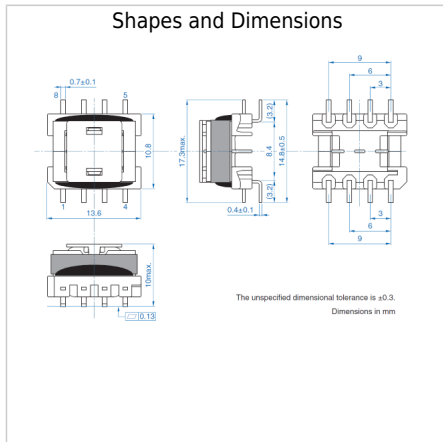
Operating Temp. Range	-40 to 130°C
AEC-Q200	Yes
Packing	Embossed (Plastic)Taping [330mm Reel, Tape width 32mm]
Package Quantity	250pcs
Weight	1.9g

! Images are for reference only and show exemplary products.  
! This PDF document was created based on the data listed on the TDK Corporation website.  
! All specifications are subject to change without notice.

VGT12EEM-200S1A4



## Associated Images



! Images are for reference only and show exemplary products.  
! This PDF document was created based on the data listed on the TDK Corporation website.  
! All specifications are subject to change without notice.