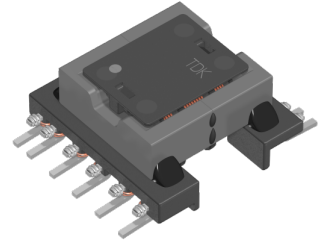


VGT15EFD-200S3A6



Applications	Automotive
Functions	Flyback transformer (Centralized)
Series	VGT
Status	Production
Brand	TDK



Size

Length(L)	20.00mm ±0.30mm
Width(W)	24.00mm +0.50,-0.30mm
Thickness(T)	10.20mm Max.

Electrical Characteristics

Turns Ratio	1:2.8:2.8:2.8:2.8
Number of Output	3
Inductance	8μH ±20%
Leakage Inductance [Max.]	200nH
Withstanding Voltage [Pri-Sec]	2.6kVrms 1min. or 3.2kVrms 1sec.
Withstanding Voltage [Coil-Core]	1.3kVrms 1min. or 1.6kVrms 1sec.

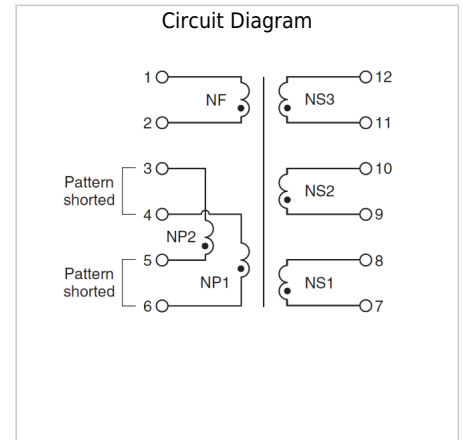
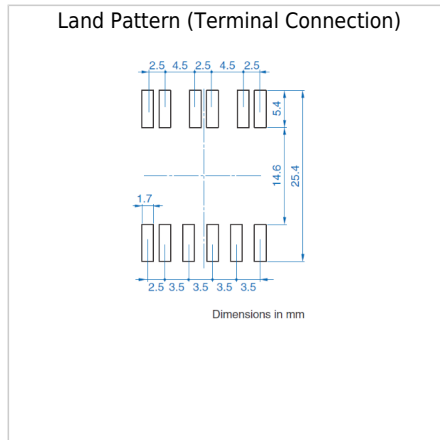
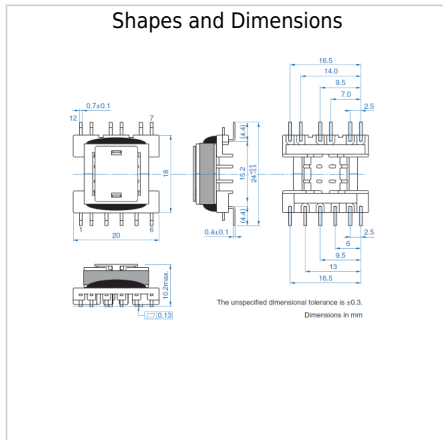
Other

Operating Temp. Range	-40 to 130°C
AEC-Q200	Yes
Packing	Embossed (Plastic)Taping [330mm Reel, Tape width 44mm]
Package Quantity	180pcs
Weight	4.1g

! Images are for reference only and show exemplary products.
! This PDF document was created based on the data listed on the TDK Corporation website.
! All specifications are subject to change without notice.



Associated Images



! Images are for reference only and show exemplary products.
! This PDF document was created based on the data listed on the TDK Corporation website.
! All specifications are subject to change without notice.