



# WH148-1A-2 15V

(WH148-1A-2 15V ROTARY POTENTIOMETERS WITH METAL SHAFT)

## General

-This specification is applied to potentiometers used for electronic equipment.

-Operating temperature:  $-10^{\circ}\text{C} \sim 70^{\circ}\text{C}$

-Long life model, low cost

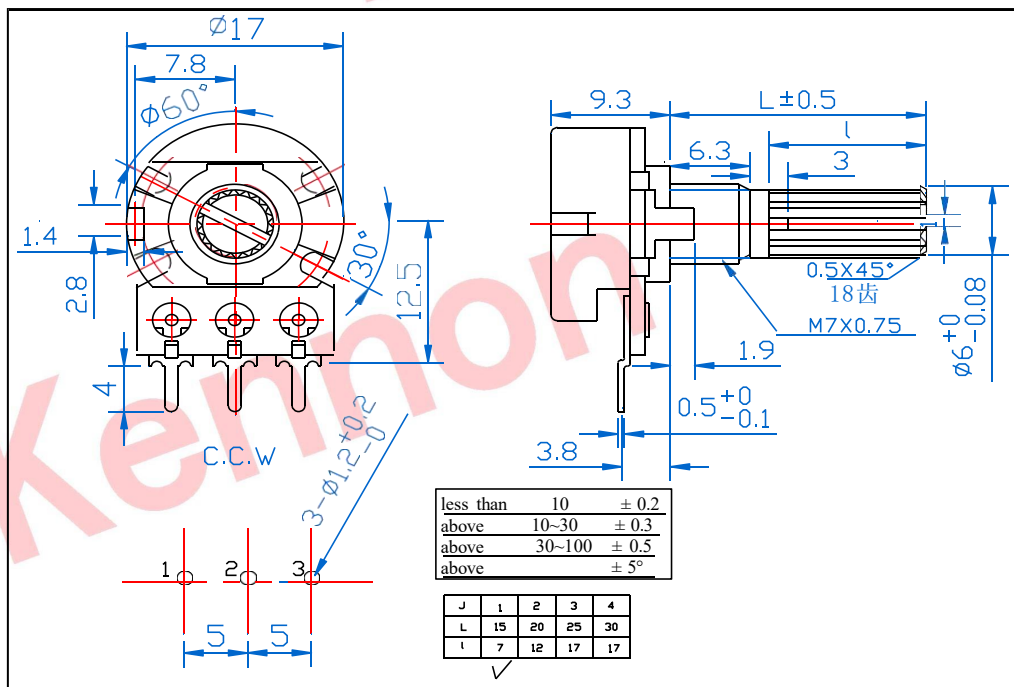
-Better feeling, center detent available

-Special tapers.

## Applications

-Multimedia, computer speaker, stereos, amplifier e

## OUOTLINE DRAWING AND MOUNTING HOLE DETAIL





**CHARACTERISTICS**

ITEM		SPECIFICATION
<b>Electrical Characteristics</b>	Temp Range	-10°C ~ 70°C
	Rated Power	Curve B:0.125W Other curve B:0.053W
	Max Operation Voltage	Curve B:200V Other curve B:150V
	Resistance Range	B500K Ω
	Allow Desistance Tolerance	±20%(1M Ω or more30%)
	Rotational Noise	≤47mV
	Terminal Resistance	R ≥ 250K Ω      0.1%R max 250K Ω > R > 10K Ω      20 Ω max 10 K Ω ≥ R      10 Ω max
	Resistance Law	15A□, 0B□, 3B□, 15C□
	Dielectric	AC500V, 1minute
	Insulation Resistance	More than 100M Ω at DC500V
	<b>Mechanical Characteristics</b>	Rotational Torque
Total Rotational Angle		300° ± 5°
Rotary life		10,000 cycles
Shaft Stopper Strength		6Kgf.cm
Push Pull Strength		60 N
Click position		Center detent or 10,20,40 position clicks
<b>Soldering</b>		T ≤ 265°C, t ≤ 5s