

18W CAR RADIO POWER AMPLIFIER—YD1028

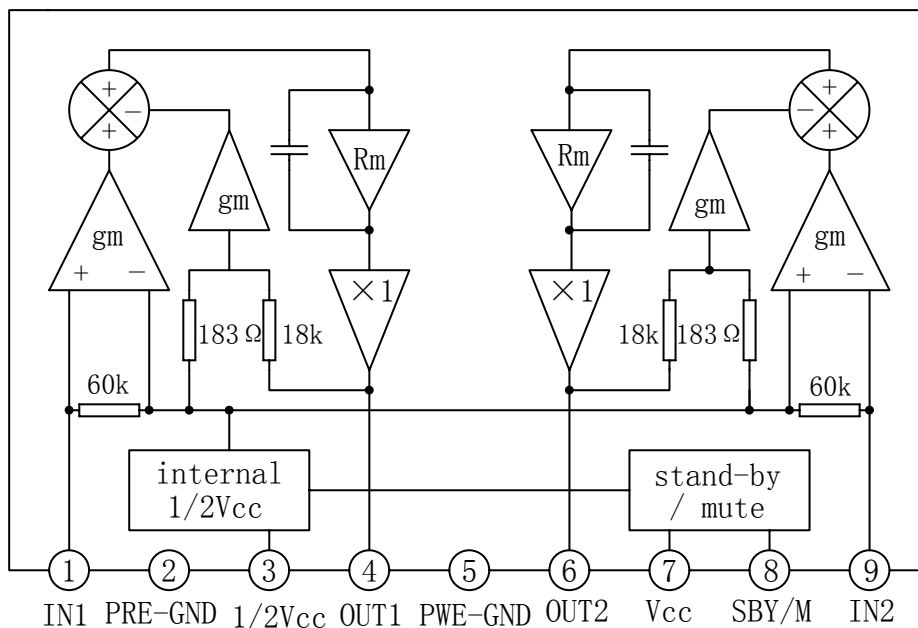
DESCRIPTION

The YD1028 is an integrated class-B dual output amplifier in a 9-lead single in-line (TO220Z9) plastic power package. The device is primarily developed for car radio applications.

FEATURES

- *Requires very few external components for Bridge Tied Load (BTL), Stereo or BTL application;
- *High output power, Fixed gain, Good ripple rejection;
- * Identical inputs (inverting and non-inverting), Low offset voltage at output (important for BTL);
- *Mute/stand-by switch, No switch-on/switch-off plop;
- *Load dump protection, AC and DC short-circuit-safe to ground and V_{cc} , Thermally protected;
- *Reverse polarity safe;
- *Capability to handle high energy on outputs ($V_{cc}=0V$);
- *Protected against electrostatic discharge.

BLOCK DIAGRAM



WuXi YouDa Electronics Co., Ltd

Add: No.5 Xijin Road, National Hi-Tech Industrial Development Zone, Wuxi Jiangsu China

Tel: 86-510-85205117 86-510-85205106 Fax: 86-510-85205110 Website: www.e-youda.com

SHENZHEN OFFICE Tel: 86-755-83740369 Fax: 86-755-83741418

ABSOLUTE MAXIMUM RATINGS (Tamb=25°C)

PARAMETER	SYMBOL	TEST CONDITIONS	VALUE	UNIT
Supply Voltage Operating	Vcc		18	V
Non-operating	Vcc		20	V
AC And DC Shot-circuit-safe Voltage	Vccsc		18	V
Reverse Polarity	Vccr		6	V
Non-repetitive Peak Output Current	I _{OSM}		4	A
Repetitive Peak Output Current	I _{ORM}		2.5	A
Total Power Dissipation	P _D	Infinite Heat Sink	20	W
		No Heat Sink	4.0	
Operating Temperature	Topr		-20~+75	°C
Storage Temperature	Tstg		-55~+150	°C

ELECTRICAL CHARACTERISTICS

DC CHARACTERISTICS

(Vcc=13.2V, Tamb=25°C, BTL, unless otherwise specified)

PARAMETER	SYMBOL	TEST CONDITIONS	MIN	TYP	MAX	UNIT
Supply Voltage Range	Vcc		6.0	13.2	18.0	V
Total Quiescent Current	Iccq			40	60	mA
DC Output Voltage	V _O			6.2		V
DC Output Offset Voltage	ΔV ₄₋₆	Operating/Mute			250	mV
Switch-on Voltage Level	V _{ON}	Operating	8.5			V
Mute Condition	V _{mute}	Mute	3.3		6.4	V
Stand-by Condition	V _{st-by}	Stand-by			2.0	V
DC Current in Stand-by	Iccsb	V ₈ ≤ 2.0V			100	μ A
Control Current in Stand-by	I _{8sb}	V ₈ ≤ 2.0V		12	40	μ A

AC CHARACTERISTICS

(V_{cc}=13.2V, R_L=4Ω, f=1KHz, Tamb=25°C; BTL, unless otherwise specified)

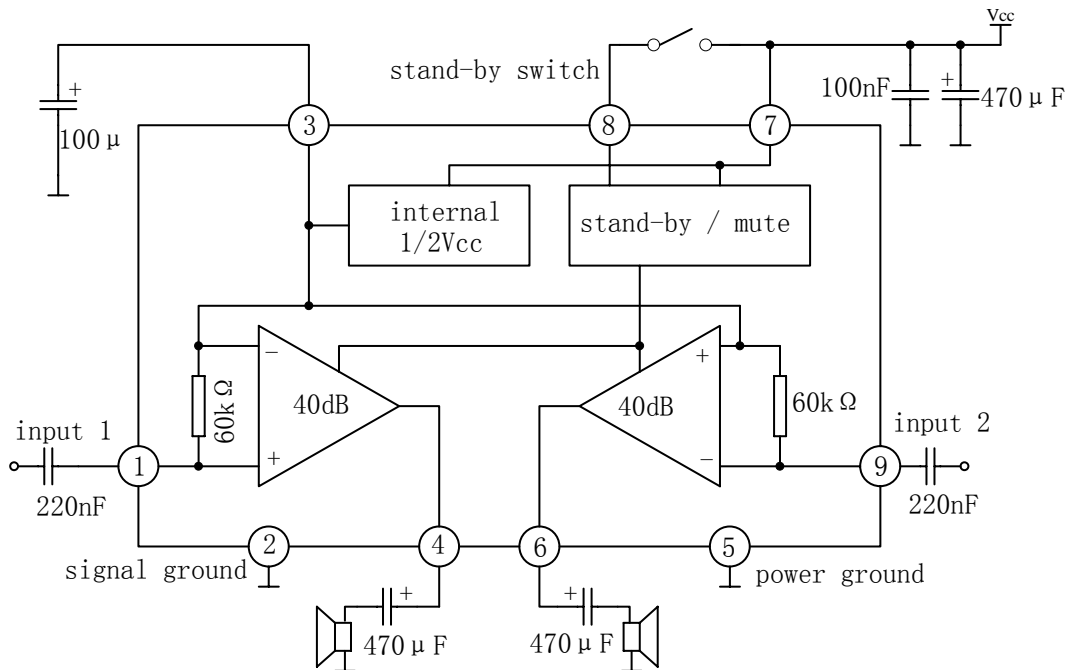
PARAMETER	SYMBOL	TEST CONDITIONS	MIN	TYP	MAX	UNIT
Output Power	Po	THD=1.0%	12	13		W
		THD=10%	16	18		W
Closed Loop Voltage Gain	Gv		45	46	47	dB
Total Harmonic Distortion	THD	Po =1W		0.1		%
Output Signal In Mute Position	Vo	Vin=1V(max.); f=20 Hz to 15 kHz			40	mV
Low Frequency Roll-off	f _L	-3dB		45		Hz
High Frequency Roll-off	f _H	-3dB	20			kHz
Supply Voltage Ripple Rejection	RR	ON, Vr=2Vp-p, Rg=0, fr=100Hz	34			dB
		ON, Vr=2Vp-p, Rg=0, fr=1kHz~10kHz	48			dB
		Mute Vr=2Vp-p, Rg=0, fr=100Hz,	48			dB
		Stand-by 1kHz~10kHz	80			dB
Input Impedance	Zi		25	30	38	kΩ
Noise Output Voltage (RMS value)	Vno	ON, Rg=0Ω, BPF=20Hz~20kHz		200		μV
		ON, Rs=10kΩ BPF=20Hz~20kHz		350	700	μV
		Mute, BPF=20Hz~20kHz		180		μV

AC CHARACTERISTICS

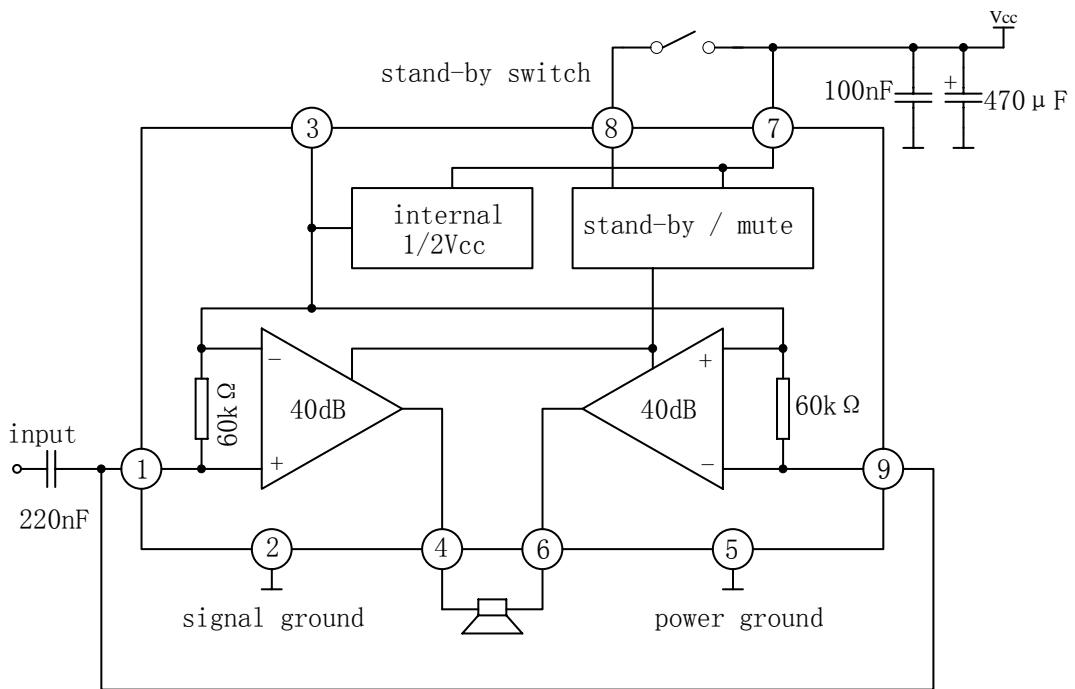
V_{cc}=13.2V, R_L=2 Ω, f=1KHz; Tamb=25°C, stereo, unless otherwise specified

PARAMETER	SYMBOL	TEST CONDITIONS	MIN	TYP	MAX	UNIT
Output Power	P _o	THD=1.0%		8.0		W
		THD=10%		9.0		W
Output Power (V _{cc} =14.4V)	P _o	R _L =4 Ω, THD=1.0%	4.8	5.0		W
		R _L =4 Ω, THD=10%	5.8	6.2		W
Closed Loop Voltage Gain	G _v		39	40	41	dB
Total Harmonic Distortion	THD	P _o =1W		0.1		%
Output Signal In Mute Position	V _o	V _{in} =1V(max.); f=20 Hz to 15 kHz			20	mV
Low Frequency Roll-off	f _L	-3dB		45		Hz
High Frequency Roll-off	f _H	-3dB	20			kHz
Supply Voltage Ripple Rejection	RR	ON, V _r =2Vp-p, R _g =0, f _r =100Hz	40			dB
		ON, V _r =2Vp-p, R _g =0, f _r =1kHz~10kHz	45			dB
		Mute, V _r =2Vp-p, R _g =0, f _r =100Hz,	45			dB
		Stand-by, 1kHz~10kHz	80			dB
Input Impedance	Z _i		50	60	75	k Ω
Noise Output Voltage (RMS value)	V _{no}	ON, R _g =0 Ω, BPF=20Hz~20kHz		150	500	μ V
		ON, R _s =10k Ω BPF=20Hz~20kHz		250		μ V
		Mute, BPF=20Hz~20kHz		120		μ V
Channel Separation	α	R _s =10k Ω	40			dB
Channel Unbalance	ΔG _v			0.1	1	dB

APPLICATION CIRCUIT



Stereo application circuit diagram



BTL application circuit diagram

OUTLINE DRAWING

Unit: inch / mm

